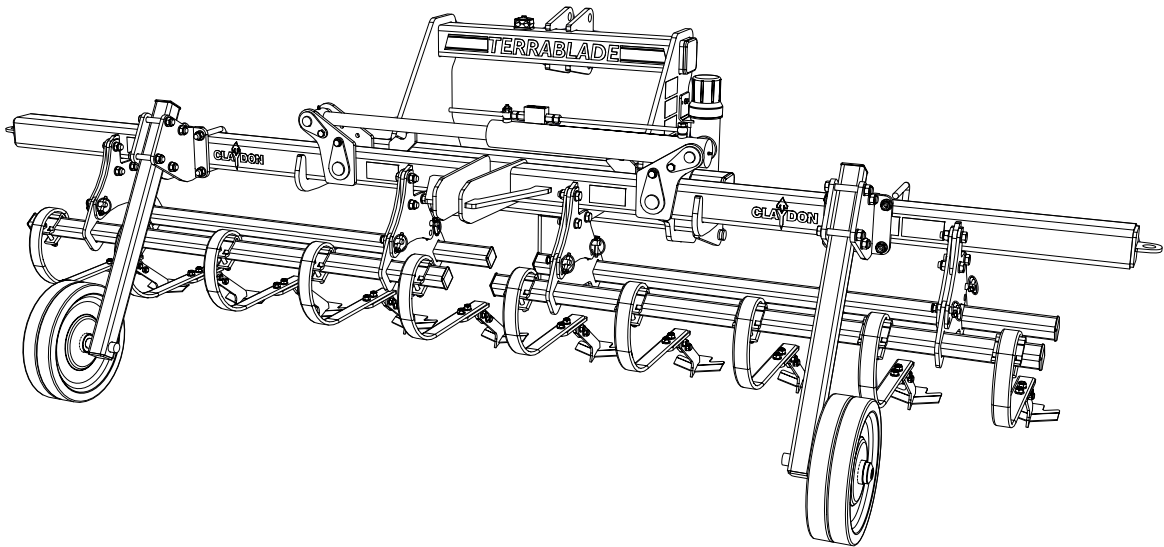




**PARTS  
MANUAL**

# **TERRABLADE 3M**

Authorised Representative



**DOC0030**

**REV-00**

**CLAYDON YIELD-O-METER LTD**

BUNTERS ROAD, WICKHAMBROOK, NEWMARKET, SUFFOLK, CB8 8XY

TEL: +44 (0)1440 820 327

EMAIL: [info@claydondrill.com](mailto:info@claydondrill.com)

[www.claydondrill.com](http://www.claydondrill.com)

**DOC0030**

**REV-00**

**© CLAYDON YIELD-O-METER LTD**

BUNTERS ROAD, WICKHAMBROOK, NEWMARKET, SUFFOLK, CB8 8XY

TEL: +44 (0)1440 820 327

EMAIL: [info@claydondrill.com](mailto:info@claydondrill.com)

[www.claydondrill.com](http://www.claydondrill.com)

# CONTENTS

**WEARING PARTS** **A**

---

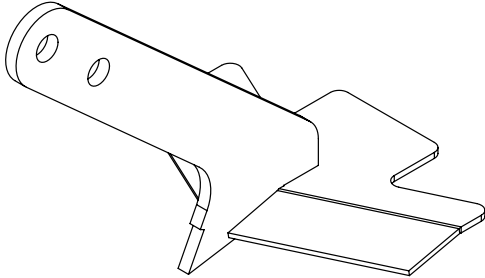
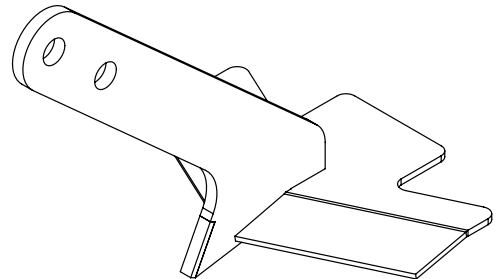
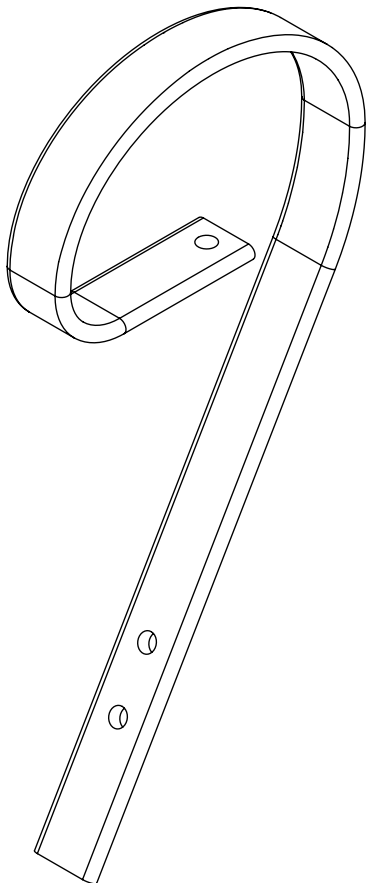
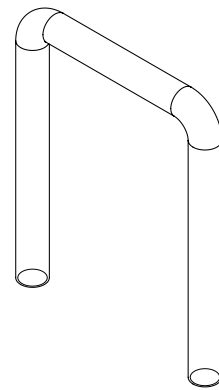
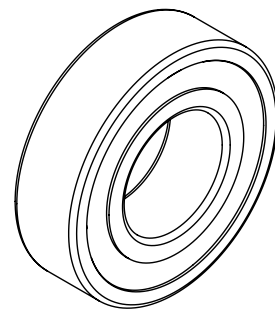
**PARTS** **B**

---

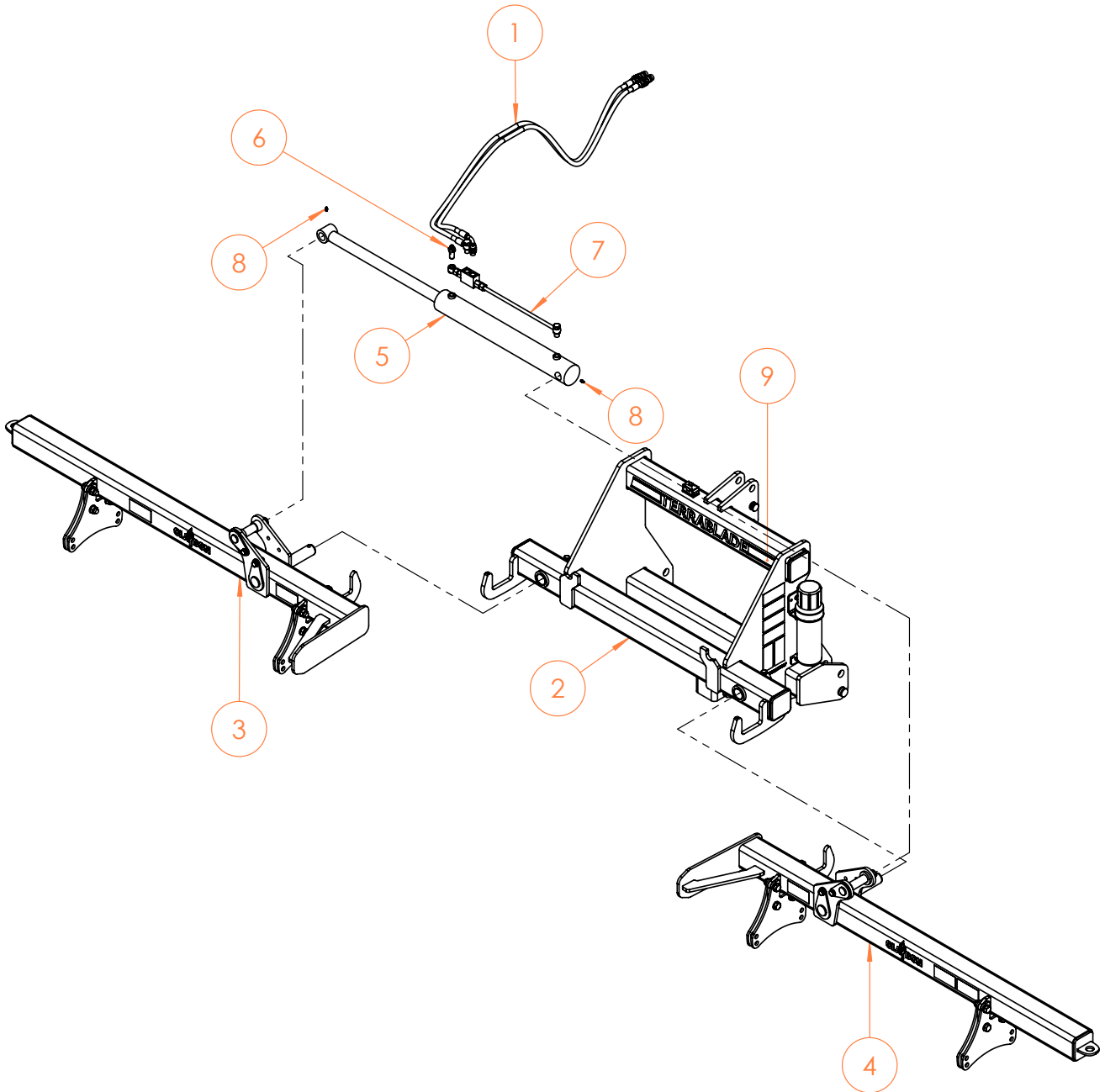
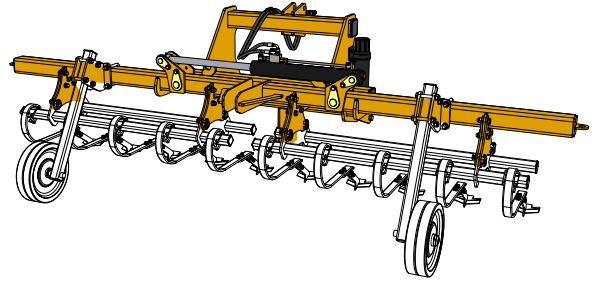
**KITS** **C**

---

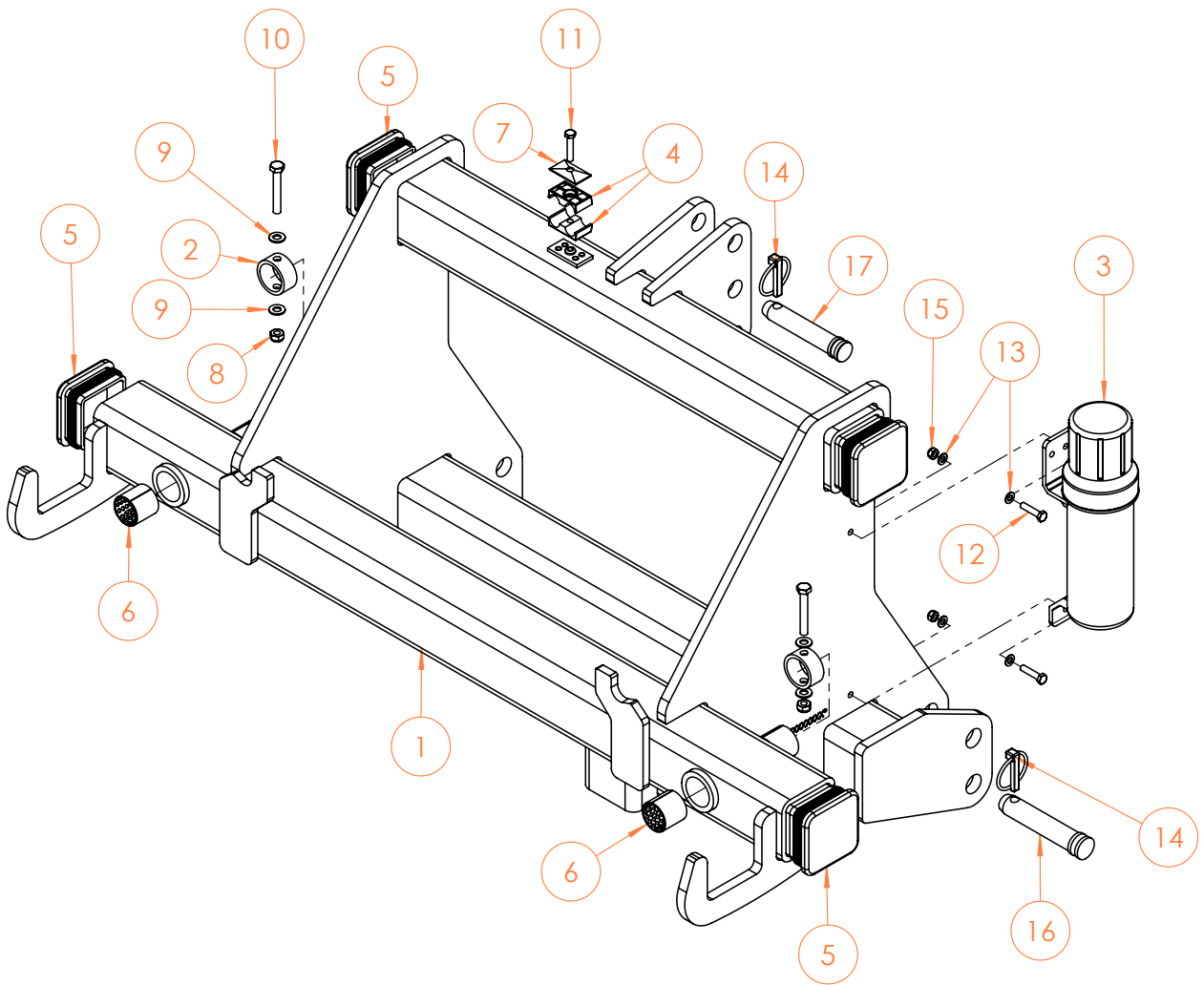
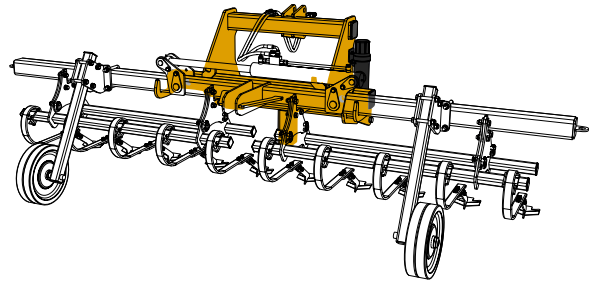
**INDEX** **D**

**WEARING PARTS - TERRABLADE****MH-W-0020 - 25° HOE BLADE****MH-W-0054 - 25° HOE BLADE  
CARBIDE****TIN45X10 - SPRING TINE****U BOLT - M16 x 116 x 145 x 50****MH-P-0096 - HOE WHEEL  
BEARING**



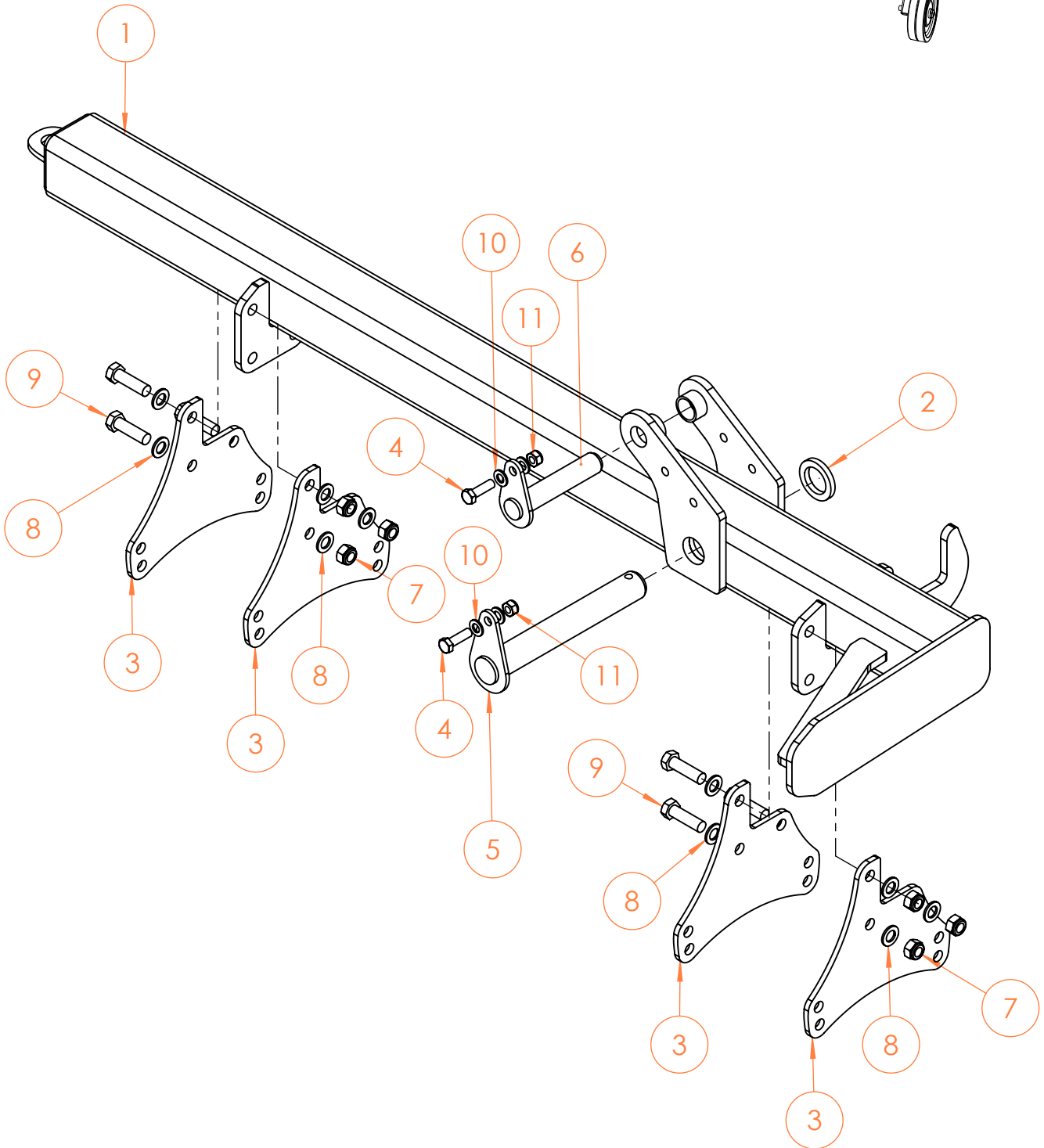
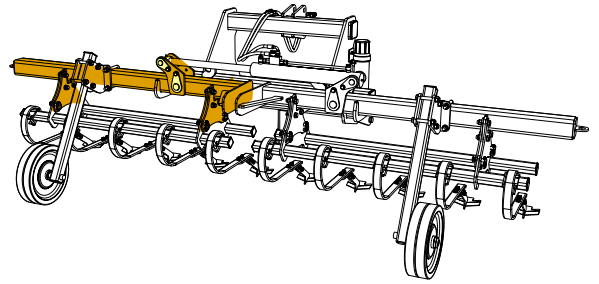
**TERRABLADE - BUILD STAGE I**

ITEM NO.	PART NUMBER	DESCRIPTION	QTY.
1	MH-B-0021	HOE HYDRAULIC HOSE AND FITTINGS KIT	1
2	MH-B-0042	TERRABLADE CENTRE CHASSIS ASSEMBLY	1
3	MH-B-0043	TERRABLADE RIGHT WING ASSEMBLY	1
4	MH-B-0044	TERRABLADE LEFT WING ASSEMBLY	1
5	NFR4400500		1
6	HY0145	THROTTLE SCREW, 3/8 BSP - ADJUSTABLE FOR BANJO FITTING	1
7	TOP912063A	PO CHECK VALVE KIT	1
8	NIPPLEM6STR		2
9	MH-B-0020	TERRABLADE 6m STICKER KIT	1

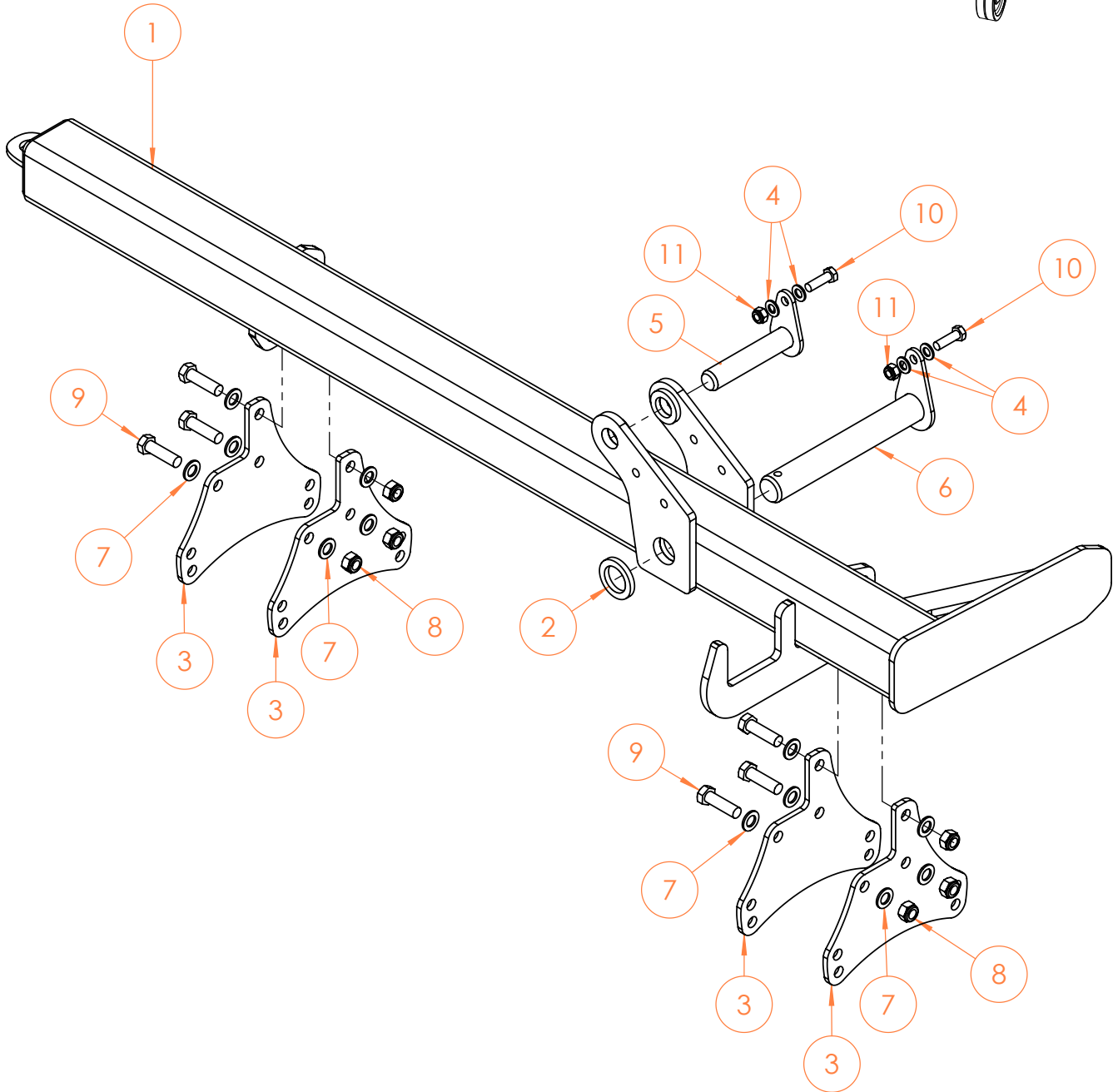
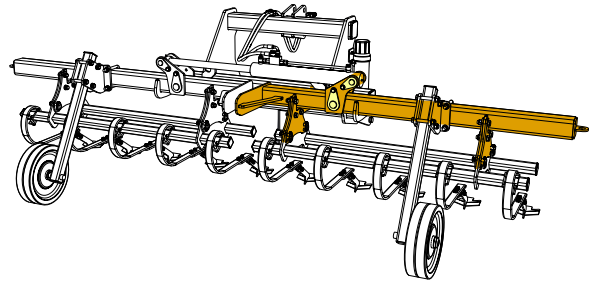
**MH-B-0042 - CENTRE CHASSIS ASSEMBLY**



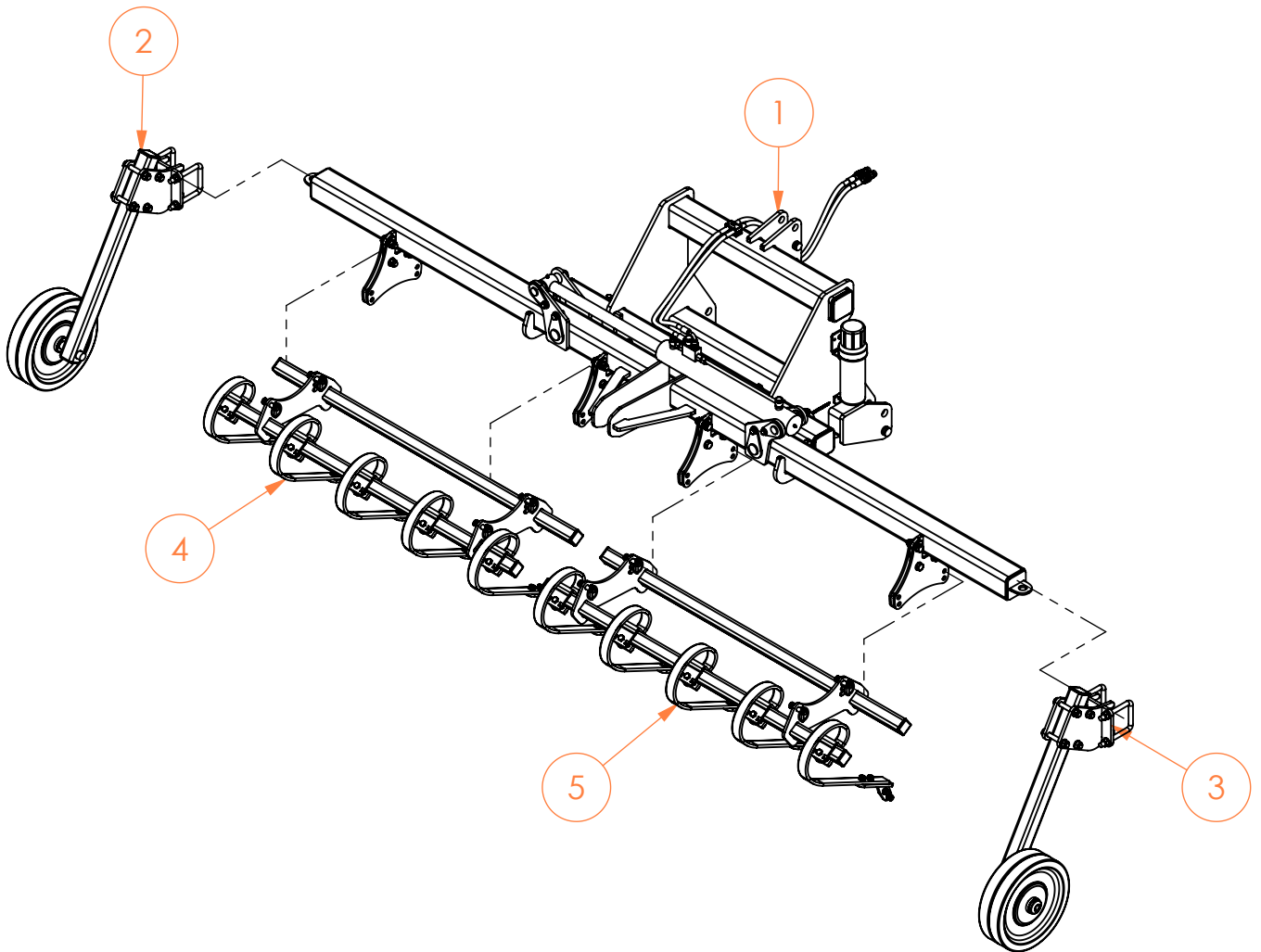
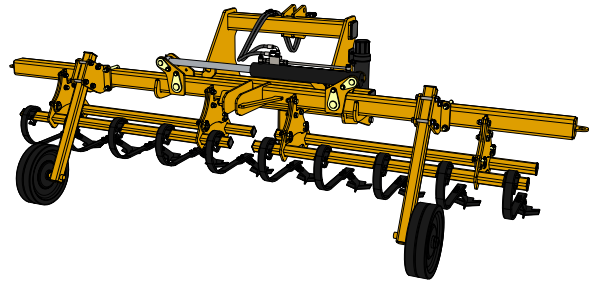
ITEM NO.	PART NUMBER	DESCRIPTION	QTY.
1	MH-W-0022	HOE CENTRE CHASSIS	1
2	MH-P-0083	HOE WING PIVOT PIN LOCKING LUG	2
3	MH85X320	MANUAL HOLDER	1
4	HC0024	3/8" PROFILED DOUBLE HOSE CLAMP BODY - POLYAMIDE	2
5	PP100100	PLASTIC END CAP 100x100	4
6	DX4040	40mm x 40mm DX bush	4
7	HC0021	1/4" PROFILED DOUBLE HOSE TOP PLATE	1
8	NYLOC NUT M10		2
9	PLAIN WASHER M10 FORM A BZP	PLAIN WASHER M10 FORM A BZP	4
10	HEX HEAD BOLT M10 x 70 10.9 BZP		2
11	HEX HEAD BOLT M8 x 40 10.9 BZP		1
12	HEX HEAD BOLT M8 x 35 10.9 BZP	HEX HEAD BOLT M8 x 35 10.9 BZP	2
13	PLAIN WASHER M8 FORM A BZP	PLAIN WASHER M8 FORM A BZP	4
14	LP11X50	LINCH PIN 11 x 50	3
15	NYLOC NUT M8		2
16	PIN0014	Cat.2 LINKAGE PIN (28 x 116)	2
17	PIN0002	CAT 2 Top Link Pin 25mm x 110mm	1

**MH-B-0043 - RIGHT WING ASSEMBLY**

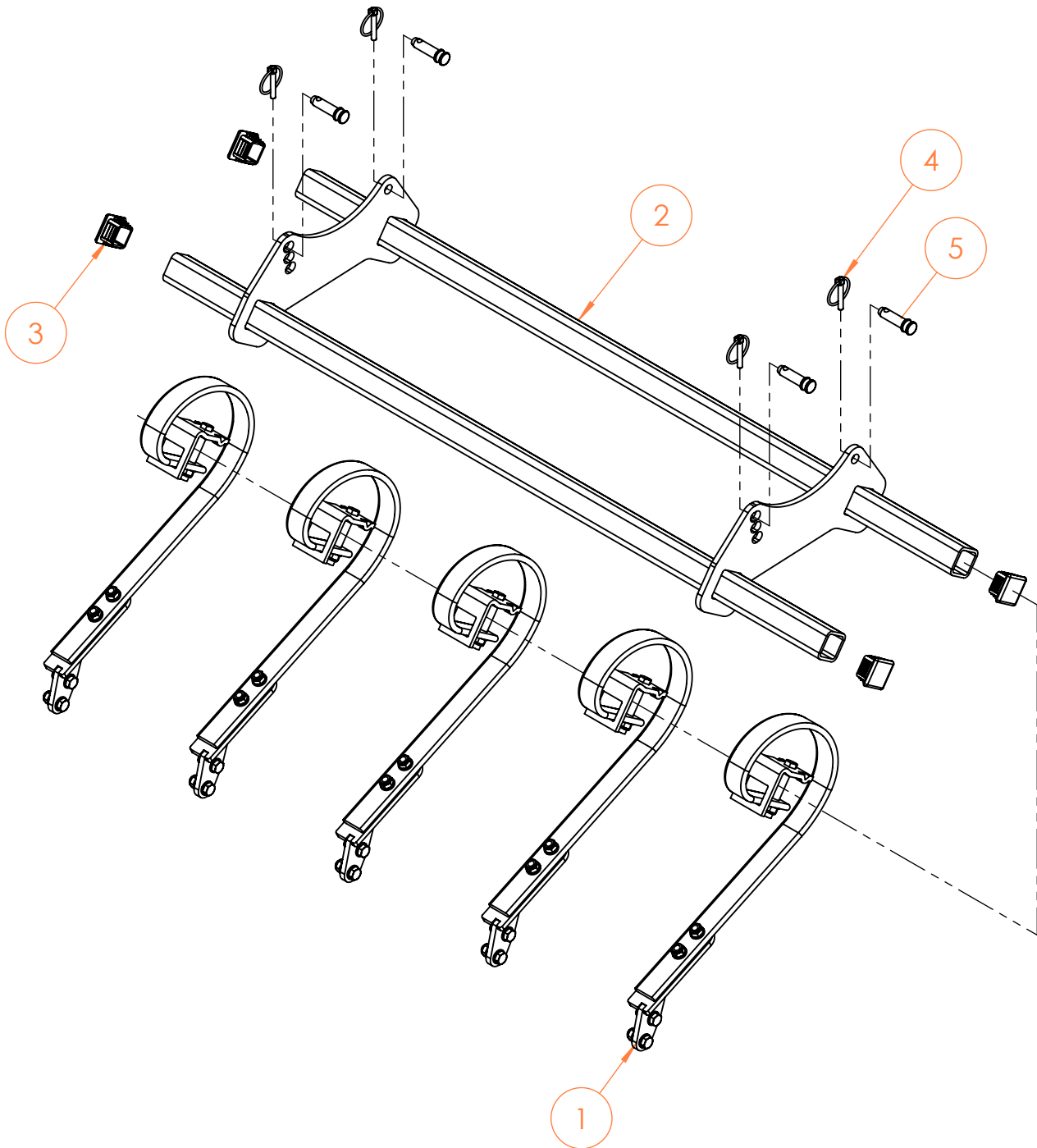
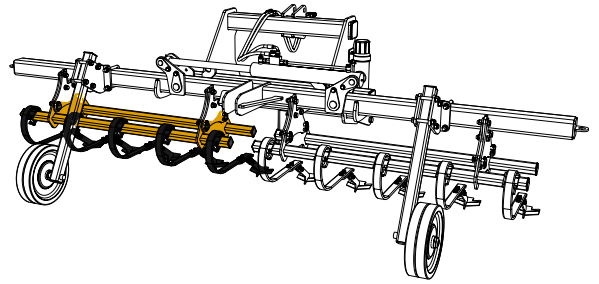
ITEM NO.	PART NUMBER	DESCRIPTION	QTY.
1	MH-W-0023	HOE RH WING	1
2	MH-P-0085	CHASSIS WING SPACER	1
3	MH-P-0082	HOE TOOL BAR ADJUSTMENT CLAMP PLATE	4
4	HEX HEAD BOLT M12 x 40 10.9 BZP	HEX HEAD BOLT M12 x 40 10.9 BZP	2
5	PIN-40X255-TD-H	HOE WING PIVOT PIN WITH BOLT HOLE	1
6	PIN-30X145-TD-C	30mm x 145mm (USABLE LENGTH) PIN WITH CHAMFERED END	1
7	NYLOC NUT M16		6
8	PLAIN WASHER M16 FORM A BZP		12
9	HEX HEAD BOLT M16 x 55 10.9 BZP		6
10	PLAIN WASHER M12 FORM A BZP	PLAIN WASHER M12 FORM A BZP	4
11	NYLOC NUT M12	NYLOC NUT M12	2

**MH-B-0044 - LEFT WING ASSEMBLY**

ITEM NO.	PART NUMBER	DESCRIPTION	QTY.
1	MH-W-0024	HOE LH WING	1
2	MH-P-0085	CHASSIS WING SPACER	1
3	MH-P-0082	HOE TOOL BAR ADJUSTMENT CLAMP PLATE	4
4	PLAIN WASHER M12 FORM A BZP	PLAIN WASHER M12 FORM A BZP	4
5	PIN-30X145-TD-C	30mm x 145mm (USABLE LENGTH) PIN WITH CHAMFERED END	1
6	PIN-40X255-TD-H	HOE WING PIVOT PIN WITH BOLT HOLE	1
7	PLAIN WASHER M16 FORM A BZP		12
8	NYLOC NUT M16		6
9	HEX HEAD BOLT M16 x 55 10.9 BZP		6
10	HEX HEAD BOLT M12 x 40 10.9 BZP	HEX HEAD BOLT M12 x 40 10.9 BZP	2
11	NYLOC NUT M12	NYLOC NUT M12	2

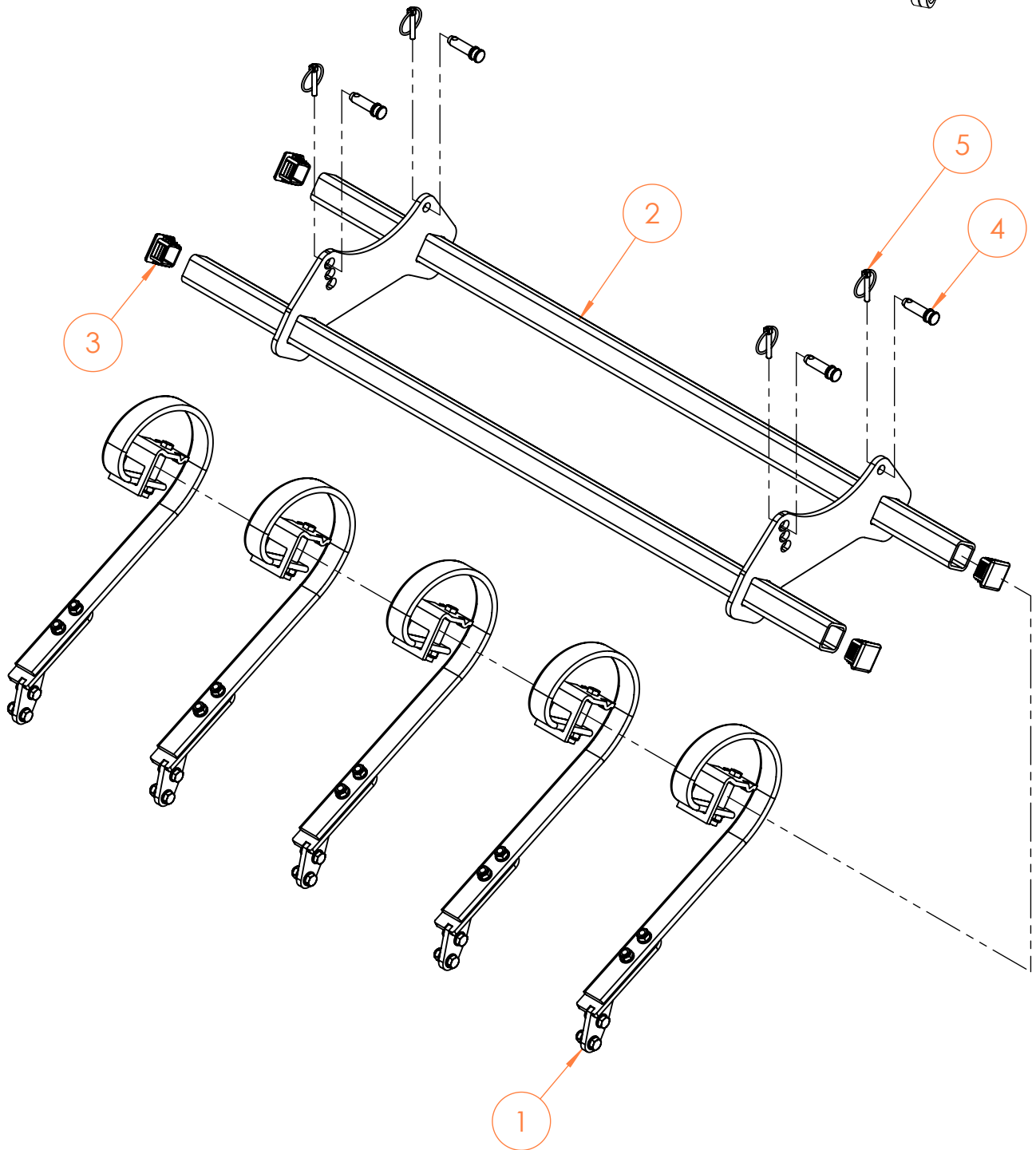
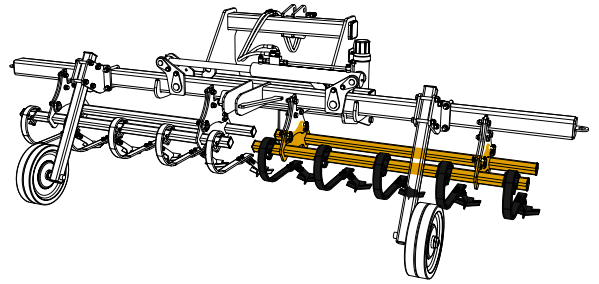
**TERRABLADE - BUILD STAGE 2**

ITEM NO.	PART NUMBER	DESCRIPTION	
1	BUILD-MH-01	TERRABLADE BUILD STAGE 1	1
2	MH-B-0045	RIGHT TERRABLADE WHEEL ASSEMBLY	1
3	MH-B-0046	LEFT TERRABLADE WHEEL ASSEMBLY	1
4	MH-B-0047	TERRABLADE 3M RH TOOLBAR ASSEMBLY	1
5	MH-B-0048	TERRABLADE 3M LH TOOLBAR ASSEMBLY	1

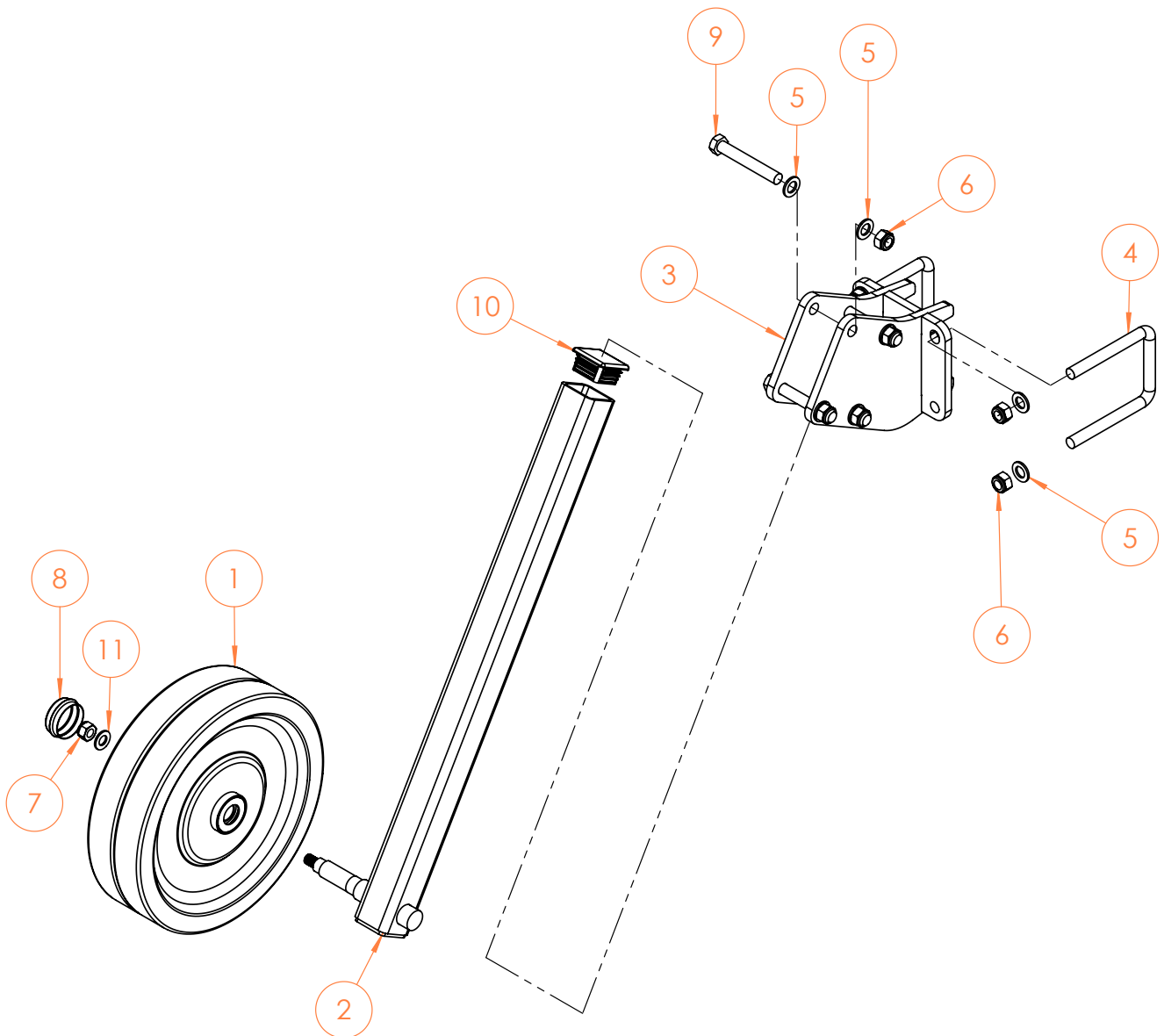
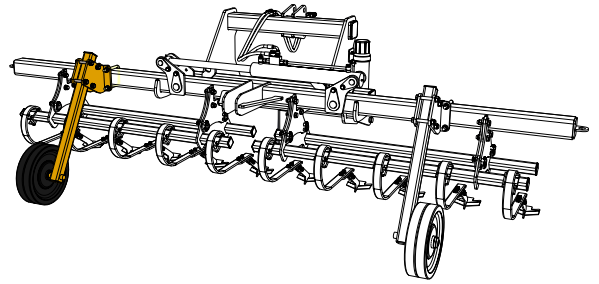
**MH-B-0047 - RIGHT TOOLBAR ASSEMBLY**



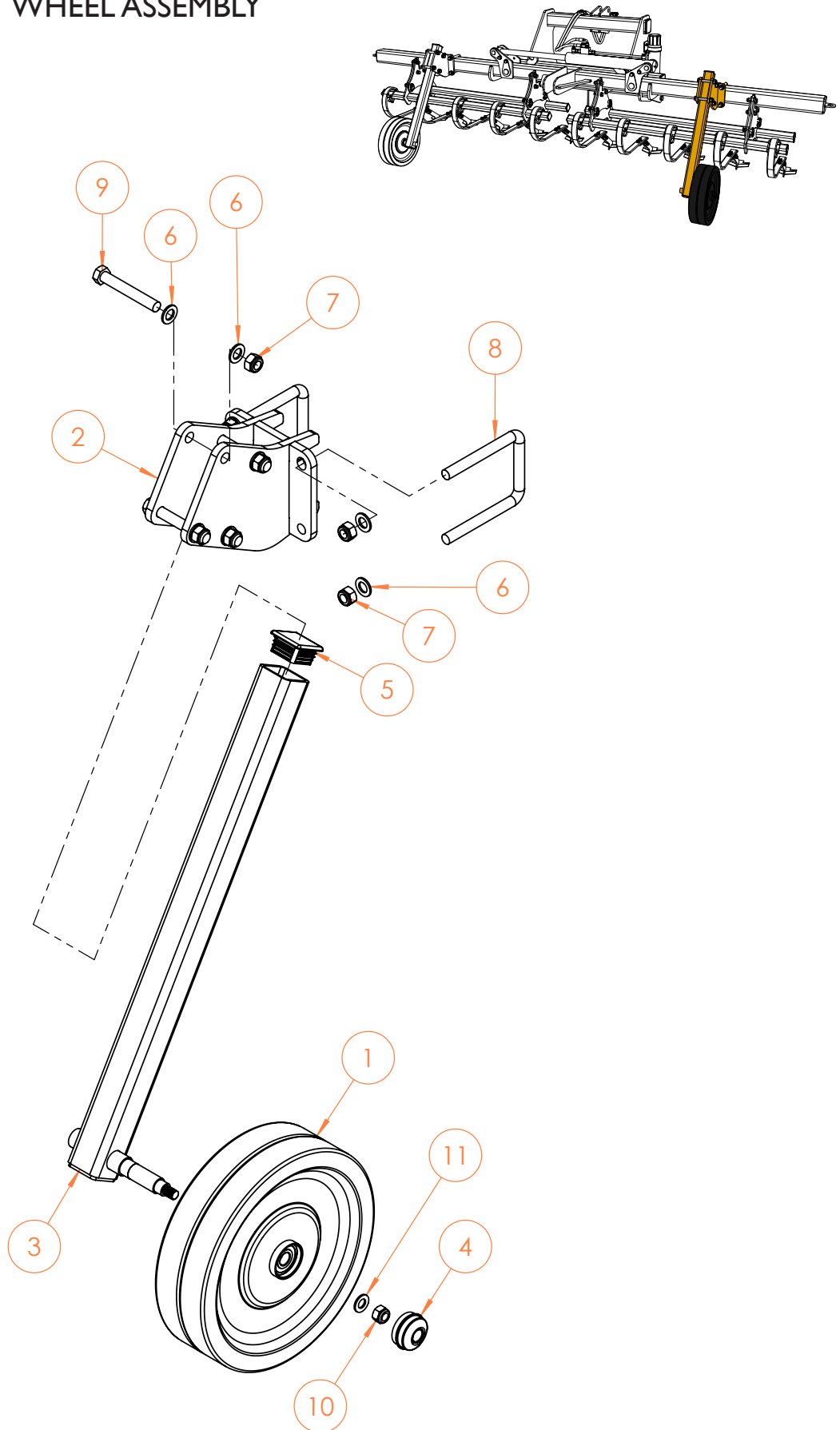
ITEM NO.	PART NUMBER	DESCRIPTION	
1	MH-B-0005	HOE TOOL AND SPRING TINE ASSEMBLY	5
2	MH-W-0038	3 RHS TOOLBAR	1
3	PP5050	END PLUG 50 SQUARE	4
4	LP8X50	LINCH PIN 8 x 45	4
5	PIN16X43	PIN 16MM DIA. 43 LONG	4

**MH-B-0048 - LEFT TOOLBAR ASSEMBLY**

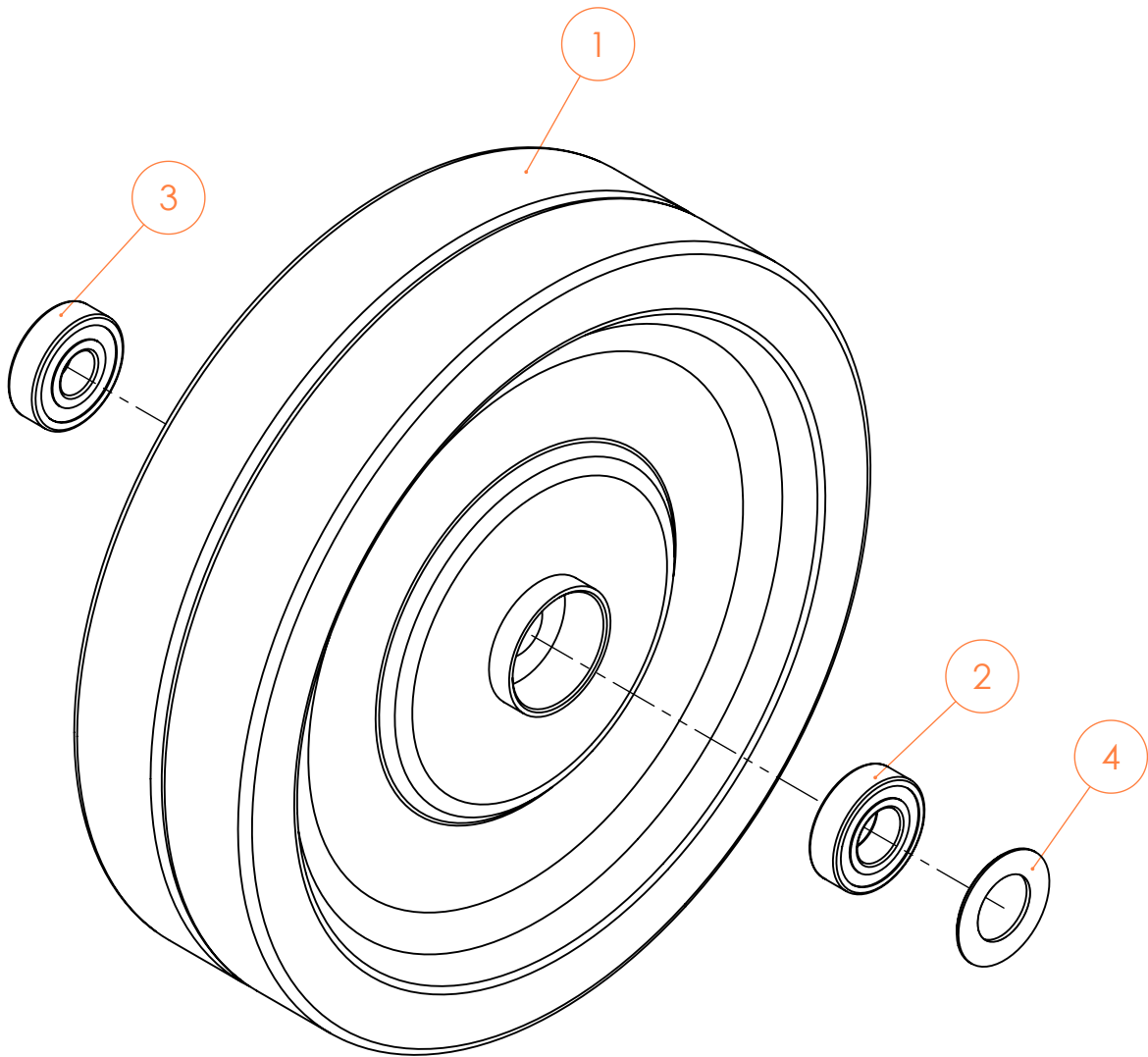
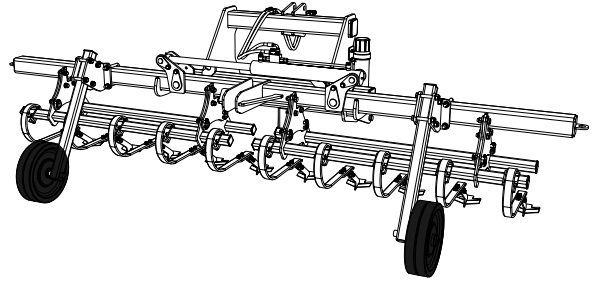
ITEM NO.	PART NUMBER	DESCRIPTION	QTY.
1	MH-B-0005	HOE TOOL AND SPRING TINE ASSEMBLY	5
2	MH-W-0037	3 LHS TOOLBAR	1
3	PP5050	END PLUG 50 SQUARE	4
4	PIN16X43	PIN 16MM DIA. 43 LONG	4
5	LP8X50	LINCH PIN 8 x 45	4

**MH-B-0045 - RIGHT WHEEL ASSEMBLY**

ITEM NO.	PART NUMBER	DESCRIPTION	QTY.
1	MH-B-0019	HOE DEPTH WHEEL (INCLUDING BEARINGS AND SEALS)	1
2	MH-W-0028	HOE DEPTH WHEEL ARM	1
3	MH-W-0027	HOE DEPTH WHEEL CLAMP	1
4	U Bolt M16X116X145X50	U BOLT M16 x 116 x 145 x 50	2
5	PLAIN WASHER M16 FORM A BZP		12
6	NYLOC NUT M16		8
7	NYLOC NUT M14 (1.5mm PITCH)	M14 NYLOC NUT (NON STANDARD 1.5mm PITCH)	1
8	MH-P-0099	HOE DEPTH WHEEL DUST CAP	1
9	HEX HEAD BOLT M16 x 110 10.9 BZP		4
10	PP6060		1
11	PLAIN WASHER M14 FORM A BZP		1

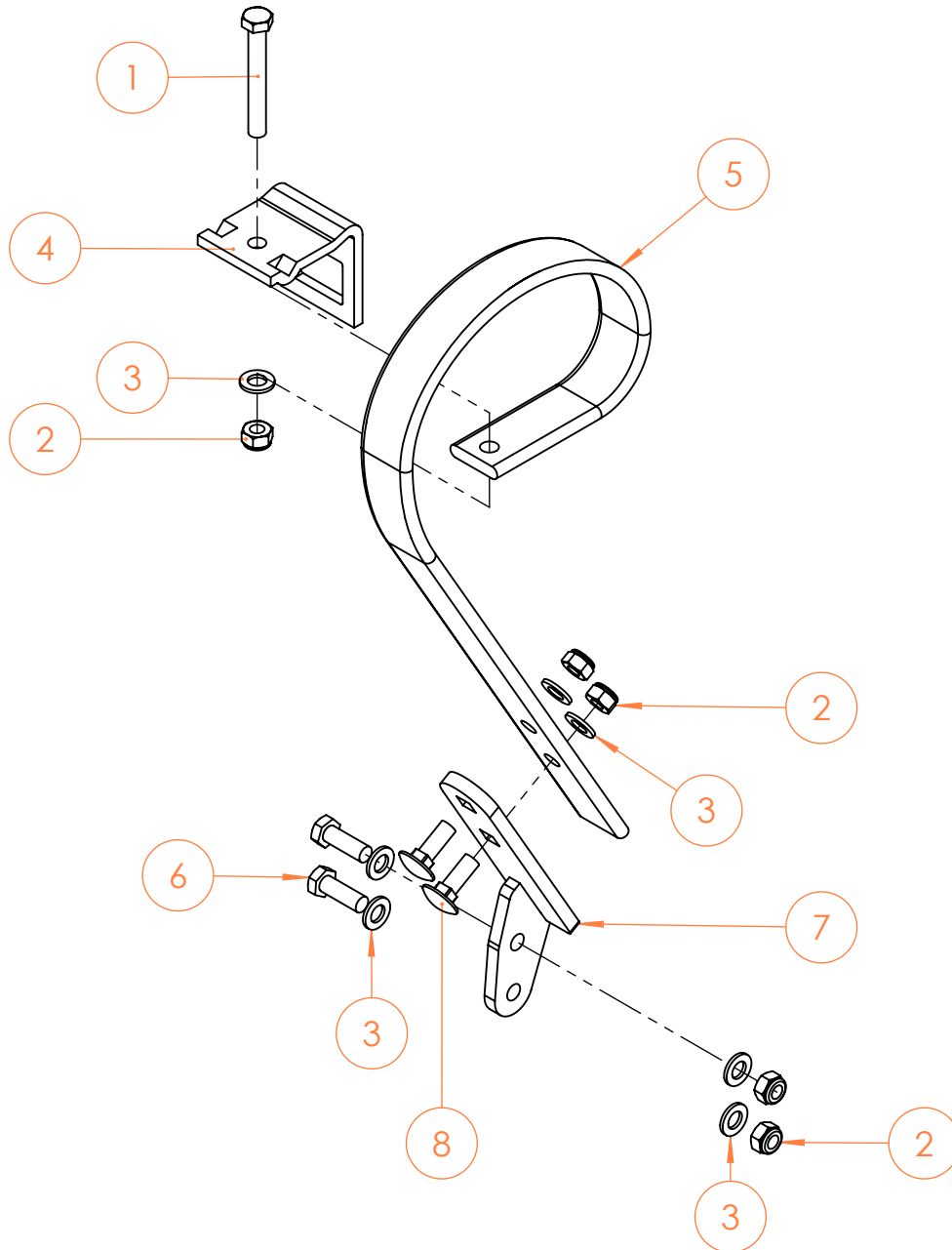
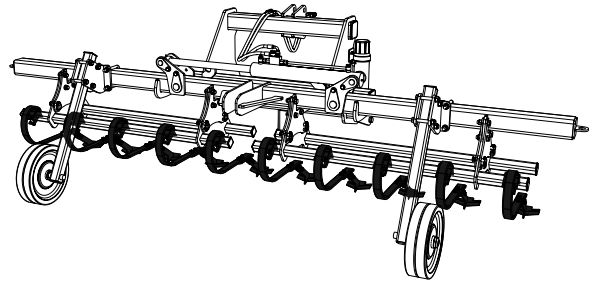
**MH-B-0046 - LEFT WHEEL ASSEMBLY**

ITEM NO.	PART NUMBER	DESCRIPTION	QTY.
1	MH-B-0019	HOE DEPTH WHEEL (INCLUDING BEARINGS AND SEALS)	1
2	MH-W-0027	HOE DEPTH WHEEL CLAMP	1
3	MH-W-0028	HOE DEPTH WHEEL ARM	1
4	MH-P-0099	HOE DEPTH WHEEL DUST CAP	1
5	PP6060		1
6	PLAIN WASHER M16 FORM A BZP		12
7	NYLOC NUT M16		8
8	U Bolt M16X116X145X50	U BOLT M16 x 116 x 145 x 50	2
9	HEX HEAD BOLT M16 x 110 10.9 BZP		4
10	NYLOC NUT M14 (1.5mm PITCH)	M14 NYLOC NUT (NON STANDARD 1.5mm PITCH)	1
11	PLAIN WASHER M14 FORM A BZP		1

**MH-B-0019 - DEPTH WHEEL ASSEMBLY**

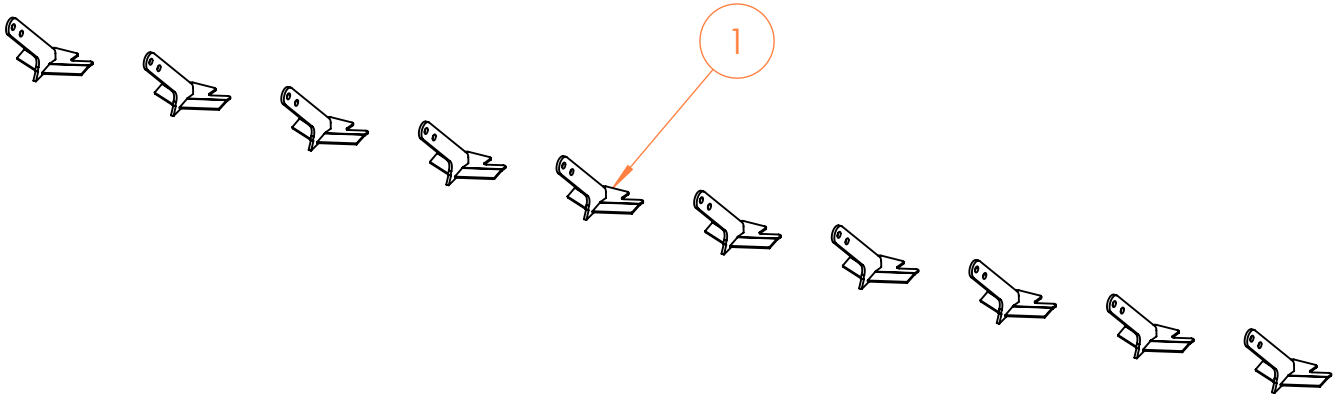
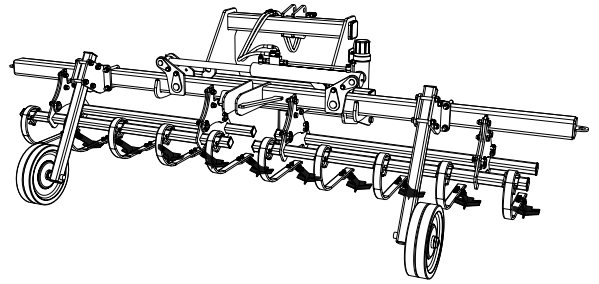


ITEM NO.	PART NUMBER	DESCRIPTION	QTY.
1	MH-P-0095	HOE DEPTH WHEEL BODY	1
2	MH-P-0096	HOE DEPTH WHEEL INSIDE BEARING	1
3	MH-P-0097	HOE DEPTH WHEEL OUTSIDE BEARING	1
4	MH-P-0098	HOE DEPTH WHEEL INSIDE BEARING SEAL	1

**MH-B-0005 - SPRING TINE ASSEMBLY**

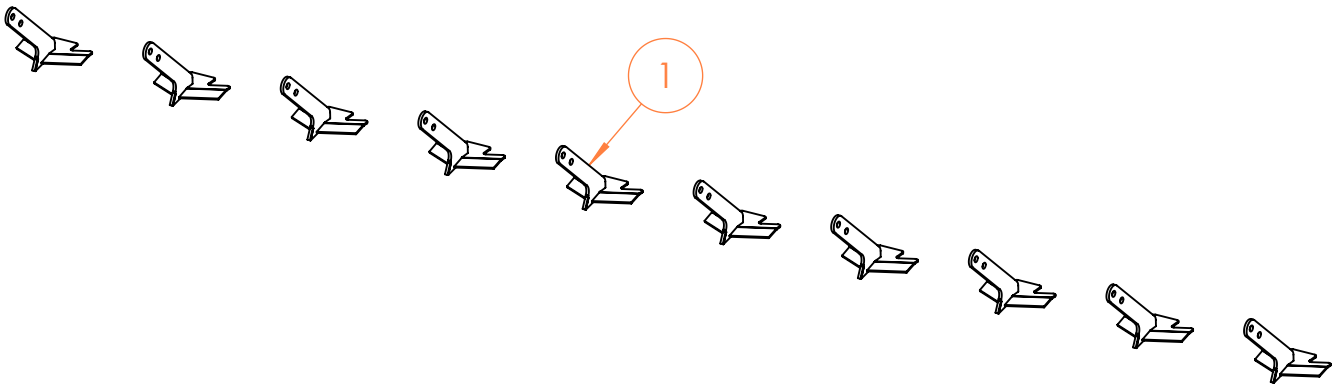
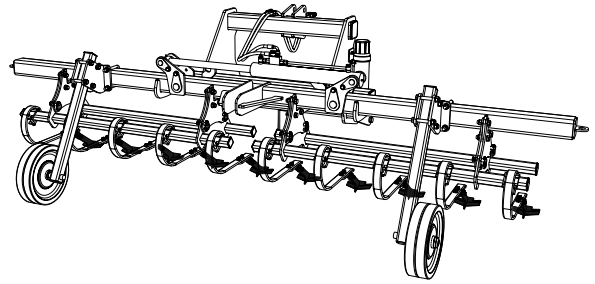
ITEM NO.	PART NUMBER	DESCRIPTION	QTY.
1	HEX HEAD BOLT M12 x 90 10.9 BZP		1
2	NYLOC NUT M12	NYLOC NUT M12	5
3	PLAIN WASHER M12 FORM A BZP	PLAIN WASHER M12 FORM A BZP	7
4	TC45X10	Spring tine clamp 50 SQ. Box	1
5	TIN45X10	Spring Tine for BB Paddles	1
6	HEX HEAD BOLT M12 x 35 10.9 BZP		2
7	MH-W-0010	HOE TOOL ELBOW	1
8	COACH SCREW M12 x 35		2

K-MH3-E01 - 150MM BLADE KIT



ITEM NO.	PART NUMBER	DESCRIPTION	QTY.
1	MH-W-0020	25° HOE TOOL	10

**K-MH3-E02 - 150MM CARBIDE BLADE KIT**



ITEM NO.	PART NUMBER	DESCRIPTION	QTY.
1	MH-W-0054	25° HOE TOOL CARBIDE	10

# INDEX

## **K**

- K-MH3-E01 - 150MM BLADE KIT 28
- K-MH3-E02 - 150MM CARBIDE BLADE KIT 29

## **M**

- MH-B-0005 - SPRING TINE ASSEMBLY 26
- MH-B-0019 - DEPTH WHEEL ASSEMBLY 24
- MH-B-0042 - CENTRE CHASSIS ASSEMBLY 8
- MH-B-0043 - RIGHT WING ASSEMBLY 10
- MH-B-0044 - LEFT WING ASSEMBLY 12
- MH-B-0045 - RIGHT WHEEL ASSEMBLY 20
- MH-B-0046 - LEFT WHEEL ASSEMBLY 22
- MH-B-0047 - RIGHT TOOLBAR ASSEMBLY 16
- MH-B-0048 - LEFT TOOLBAR ASSEMBLY 18
- MH-P-0096 - HOEWHEEL BEARING 4
- MH-W-0020 - 25° HOE BLADE 4
- MH-W-0054 - 25° HOE BLADE CARBIDE 4

## **T**

- TERRABLADE - BUILD STAGE 1 6
- TERRABLADE - BUILD STAGE 2 14
- TIN45X10 - SPRING TINE 4

## **U**

- U BOLT - M16 X 116 X 145 X 50 4

## **W**

- WEARING PARTS - TERRABLADE 4



**CLAYDON YIELD-O-METER LTD**

BUNTERS ROAD, WICKHAMBROOK, NEWMARKET, SUFFOLK, CB8 8XY

TEL: +44 (0)1440 820 327

EMAIL: [info@clayondrill.com](mailto:info@clayondrill.com)

[www.clayondrill.com](http://www.clayondrill.com)