

# Trincia

# TR46



[www.alpego.com](http://www.alpego.com)

Tel +39 0444/64.61.00

Fax +39 0444/64.61.99

e-mail: [info@alpego.com](mailto:info@alpego.com)

**ALPEGO s.p.a.**

*Sede Amministrativa:*

**Via Torri di Confine, 6 36053 GAMBELLARA (VICENZA) - ITALY**

*Sede Legale:*

**Via Giovanni e Giuseppe Cenzato, 9 36045 LONIGO (VICENZA) - ITALY**

Capitale sociale €2.000.000 i.v.

Cod. Fisc. / Part. IVA IT02009840246

R.E.A. 199795/VI/1996

Reg. Imp.VI N° 22374/VI/1996

N. Mecc. VI 011754

Copyright © 2009 Alpego s.p.a. ®

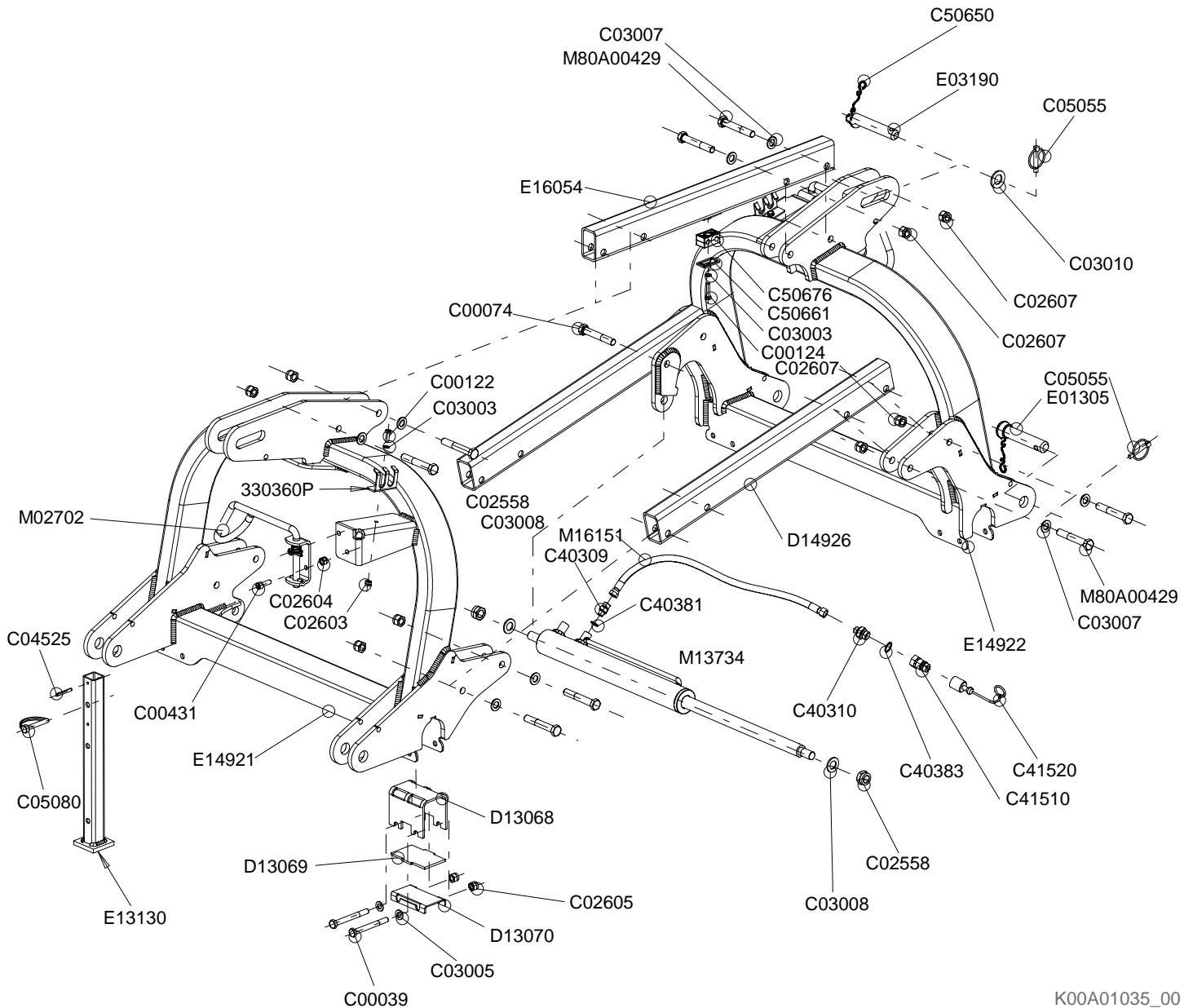
Tutti i diritti sono riservati. È vietata espressamente la ristampa o l'uso non autorizzato senza permesso scritto dalla Alpego s.p.a.

Tous droits réservés. Toute réimpression ou utilisation non autorisée sans la permission écrite de la Alpego s.p.a. est formellement interdite.

Alle Rechte vorbehalten. Nachdruck, Vervielfältigung und Verbreitung, auch auszugsweise, ist ohne schriftliche Genehmigung der Alpego s.p.a.

All rights reserved. Any reprinting or unauthorized use without the written permission of Alpego s.p.a. is expressly prohibited.

Todos los derechos reservados. Toda reproducción o uso no autorizado sin el consentimiento escrito de Alpego s.p.a. quedan expresamente prohibidos.



K00A01035\_00



## Attacco a 3 punti

3 Point linkage

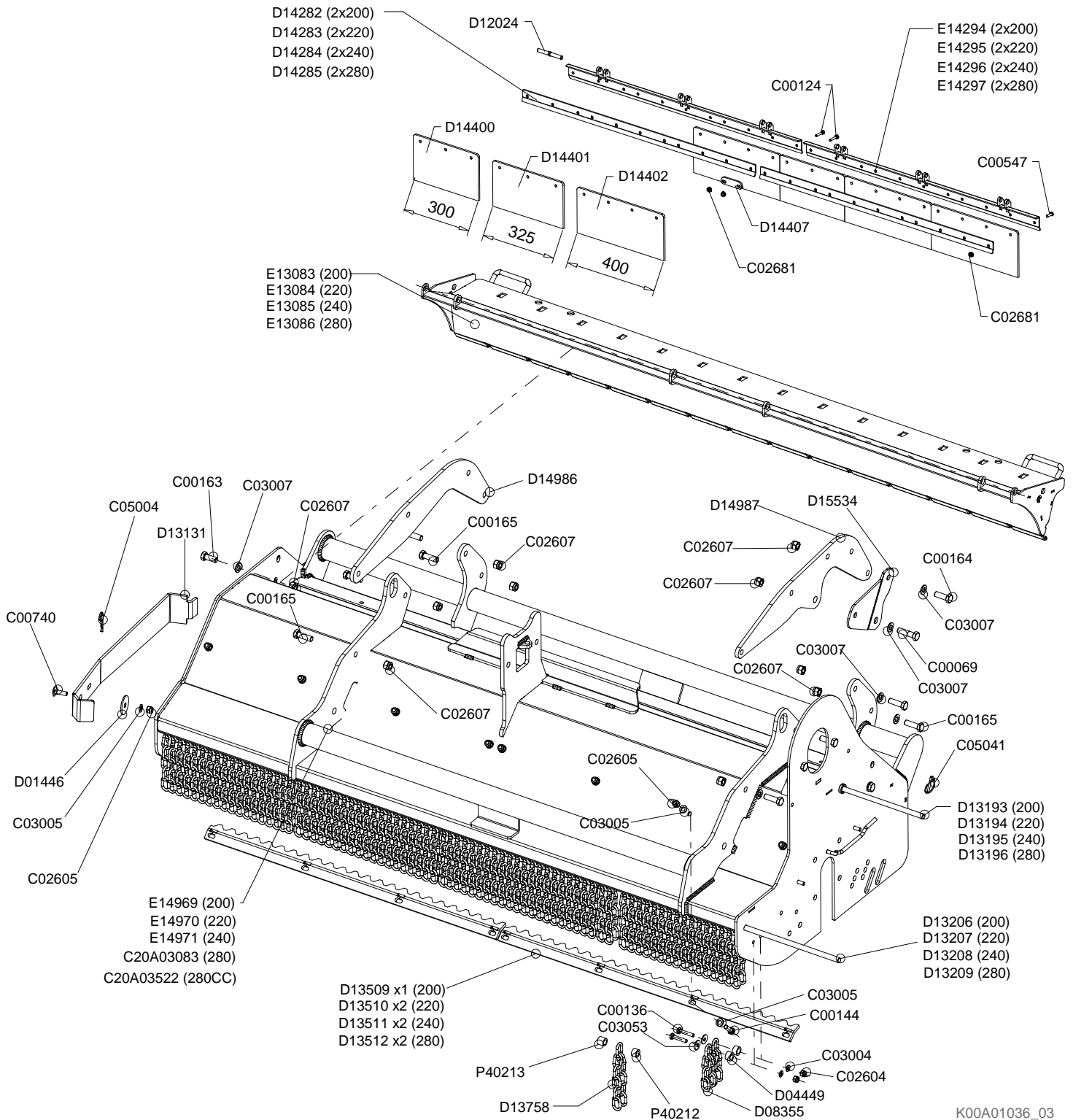
Attelage a trois points

Schraubenbefestigung

Drawing Code: **K00A01035\_0**

Accessories:

N°	Code	Old.	Descrizione / Description	GB	FR	D	E
E01305	M15A00169	E01305	PERNO D.28X106 UT.FORO D.12 SALD ZINC***	PIN	PIVOT	STIFT	PIN
E03190	M15A00172	E03190	PERNO ROND.25X109 UT.FORO D.12 ZINC***	PIN	PIVOT	STIFT	PIN
E13130	C20A02069	E13130	GAMBA D'APPOGGIO TR36-TT97 H=380-270MM	LEG	BEQUILLE	BEIN	PATA
E14921	C20A02853	E14921	ATTACCO 3ZO PUNTO ANTERIORE TR46	CONNECTION	ATTELAGE	ANSCHLUSS	ATAQUE
E14922	C20A02854	E14922	ATTACCO 3ZO PUNTO POSTERIORE TR46	CONNECTION	ATTELAGE	ANSCHLUSS	ATAQUE
E16054	C20A02860	E16054	TUBO SALD.SUP.ATT.3ZO P.TR46 + FERMATUBO	TUBE	TUBE	ROHR	TUBO
C00039	M80A00036	C00039	VITE TE 88 PG FP M12X110 ZINC UNI 5737	SCREW	VIS	SCHRAUBE	TORNILLO
C00074	M80A00067	C00074	VITE TE 88 PG FP M16X110 ZINC UNI 5737	SCREW	VIS	SCHRAUBE	TORNILLO
M80A00429	M80A00429		VITE TE 88 PG FP M16X100 ZINC UNI 5737	SCREW	VIS	SCHRAUBE	TORNILLO
C00122	M80A00111	C00122	VITE TE 88 PG FT M8X25 ZINC UNI 5739	SCREW	VIS	SCHRAUBE	TORNILLO
C00124	M80A00113	C00124	VITE TE 88 PG FT M8X35 ZINC UNI 5739	SCREW	VIS	SCHRAUBE	TORNILLO
C00431	M80A00244	C00431	VITE TCEI PG M10X30 ZINC UNI 5931	SCREW	VIS	SCHRAUBE	TORNILLO
330360P	C10A00892	330360P	PORTACONDOTTE 2 SEDI 04643 SP3MM ZINC.	-	-	-	-
C02558	M85A00066	C02558	DADO AUTOBLOC BASSO 8 PF M20X1,5 H=20 UNI 7474	NUT	BOULONS	NUT	DADO
C02603	M85A00075	C02603	DADO AUTOBLOC ALTO 8 M8 H=10.6 UNI 7473	NUT	BOULONS	NUT	DADO
C02604	M85A00077	C02604	DADO AUTOBLOC ALTO 8 M10 H=11.5 UNI 7473	NUT	BOULONS	NUT	DADO
C02605	M85A00078	C02605	DADO AUTOBLOC ALTO 8 M12 H=14 UNI 7473	NUT	BOULONS	NUT	DADO
C02607	M85A00080	C02607	DADO AUTOBLOC ALTO 8 M16 H=18 UNI 7473	NUT	BOULONS	NUT	DADO
C03003	M90A00005	C03003	RONDELLA PIANA D.8,4 DIN125-A ZINC.	WASHER	RONDELLE	UNTERLEGSCHLEIBE	ARANDELLA
C03005	M90A00008	C03005	RONDELLA PIANA D.13 DIN125-A ZINC.	WASHER	RONDELLE	UNTERLEGSCHLEIBE	ARANDELLA
C03007	M90A00010	C03007	RONDELLA PIANA D.17 DIN125-A ZINC.	WASHER	RONDELLE	UNTERLEGSCHLEIBE	ARANDELLA
C03008	M90A00011	C03008	RONDELLA PIANA D.21 DIN125-A ZINC.	WASHER	RONDELLE	UNTERLEGSCHLEIBE	ARANDELLA
C03010	M90A00013	C03010	RONDELLA PIANA D.25 DIN125-A ZINC.	WASHER	RONDELLE	UNTERLEGSCHLEIBE	ARANDELLA
C04525	MB0A00017	C04525	SPINA ELASTICA D.6X50	SOCKET	GOUPILLE	STECKER	PASADOR
C05055	MB0A00096	C05055	SPINA A SCATTO D.10 CON TIRANTE IN GOMMA	SOCKET	GOUPILLE	STECKER	PASADOR
C05080	MB0A00101	C05080	SPINOTTO PER MOTOZAPPA D.10X60 UTILE	PIN	GOUPILLE	STIFT	PASADOR
C40309	H35A00009	C40309	NIPLES RIDUZ.1/4 3/8	NIPLES	NIPLES	NIPLES	NIPLES
C40310	H35A00010	C40310	NIPLES RIDUZ.1/2 3/8	NIPLES	NIPLES	NIPLES	NIPLES
C40381	H35A00041	C40381	RONDELLA RAME 1/4 D.13.5	WASHER	RONDELLE	UNTERLEGSCHLEIBE	ARANDELLA
C40383	H35A00043	C40383	RONDELLA RAME 1/2 D.21	WASHER	RONDELLE	UNTERLEGSCHLEIBE	ARANDELLA
C41510	H50A00005	C41510	INNESTO RAPIDO MASCHIO ATT.1/2 F NV	COUPLING	ACCOUPEMENT	KUPPLUNG	COMPROMISO
C41520	G10A00002	C41520	TAPPO PROT.INNESTO RAPIDO 1/2 MASCHIO BLU	PLUG	BOUCHON	STOEPSSEL	ENCHUFE
C50650	M79A00002	C50650	GOMMINO CON ANELLI L.240 MM.	RUBBER	CAOUTCHOUC	BELAG	GOMAS
C50661	C15A00017	C50661	COPERCHIO FERMATUBO POLIPROP. 2 TUBI	LID	COUVERCLE	DECKEL	TAPA
C50676	G10A00035	C50676	"COLLARE POLI. CF2 DOPPIO D.1/4" (COPPIA)"	METAL RING	COLLARE	METALLRING	COLLAR
D13068	G10A00067	D13068	PATTINO SUP. SPOSTAMENTO ATTACCO TR36	SKID	PATINS	KUFE	PATIN
D13069	G10A00068	D13069	PATTINO INF. SPOSTAMENTO ATTACCO TR36	SKID	PATINS	KUFE	PATIN
D13070	C10A02990	D13070	PROFILO RINFORZO PATTINO TR36	PROFILE	PROFIL	PROFIL	PERFIL
D14926	C15A01057	D14926	TUBO SUPERIORE ATT.3ZO P.TR46 80X50X5	TUBE	TUBE	ROHR	TUBO
M02702	M79A00013	M02702	GANCIO SUPP. CARDANO COMPL.***	HOOK	ATTACHE	HAKEN	ENGANCHE
M13734	H80A00049	M13734	CILINDRO D.50 C.380 S.30 TT93	CYLINDER	CYLINDRE	ZYLINDER	CILINDRICA
M16151	H75A00109	M16151	"TUBO IDR FD3/8"-R1AT 1/4"X3000-FD3/8"***	TUBE	TUBE	ROHR	TUBO





**Telaio**  
**Frame**  
**Chassis**  
**Rahmen**

Drawing Code: **K00A01036\_3**

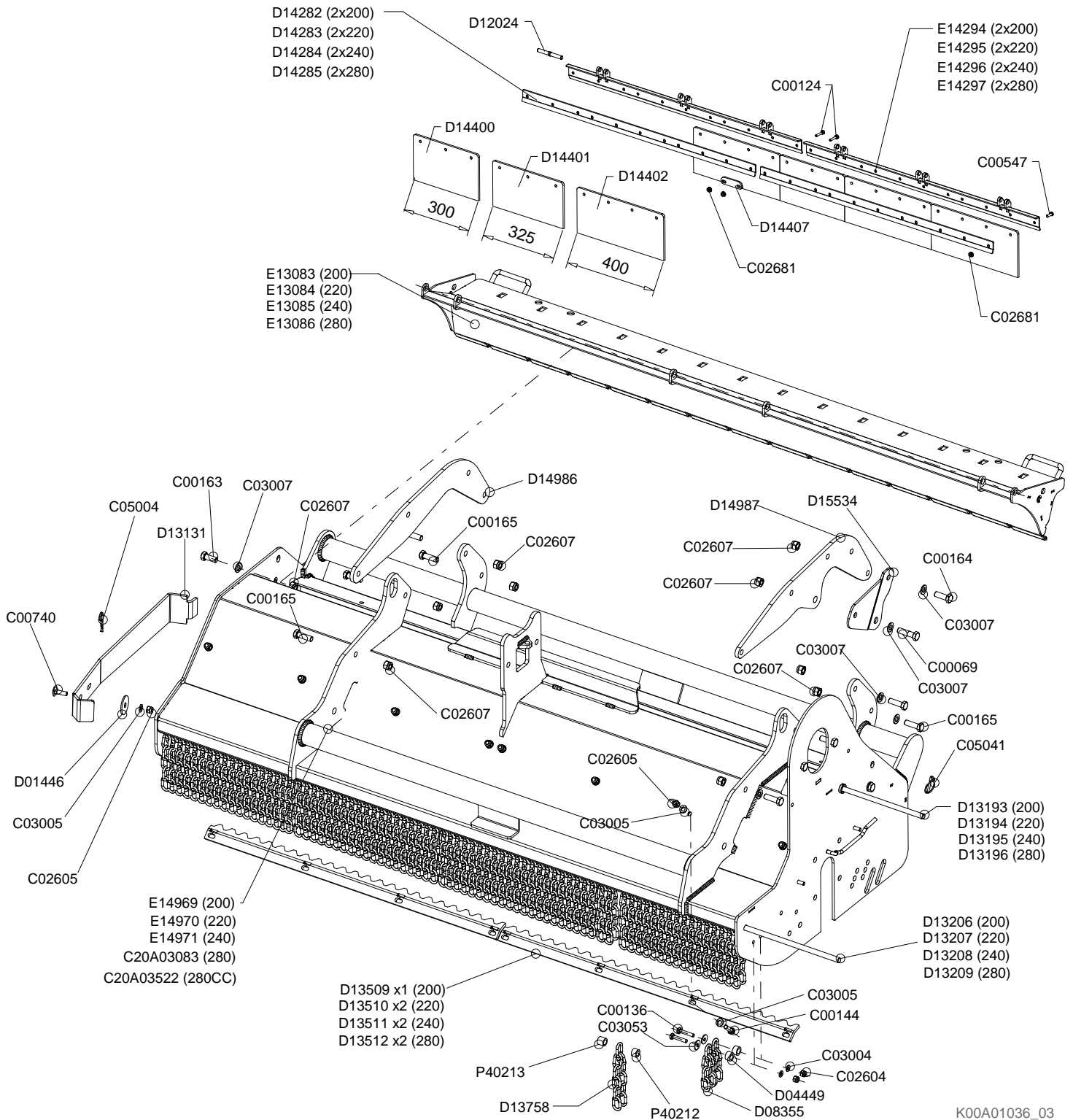
Accessories:

N°	Code	Old.	Descrizione / Description	GB	FR	D	E
#	M80A00062	C00069	VITE TE 88 PG FP M16x60 ZINC UNI 5737	SCREW	VIS	SCHRAUBE	TORNILLO
#	M80A00113	C00124	VITE TE 88 PG FT M8X35 ZINC UNI 5739	SCREW	VIS	SCHRAUBE	TORNILLO
#	M80A00124	C00136	VITE TE 88 PG FT M10X50 ZINC UNI 5739	SCREW	VIS	SCHRAUBE	TORNILLO
#	M80A00131	C00144	VITE TE 88 PG FT M12X40 ZINC UNI 5739	SCREW	VIS	SCHRAUBE	TORNILLO
#	M80A00149	C00163	VITE TE 88 PG FT M16X40 ZINC UNI 5739	SCREW	VIS	SCHRAUBE	TORNILLO
#	M80A00150	C00164	VITE TE 88 PG FT M16X45 ZINC UNI 5739	SCREW	VIS	SCHRAUBE	TORNILLO
#	M80A00151	C00165	VITE TE 88 PG FT M16X50 ZINC UNI 5739	SCREW	VIS	SCHRAUBE	TORNILLO
#	M80A00268	C00547	VITE TBEI 8.8 M8X25 ISO 7380 ZINC TESTA BOMB	SCREW	VIS	SCHRAUBE	TORNILLO
#	MF0A00006	C00740	BULLONE TTQST M12X40 UNI 5732 ZINC	BOLT	BOULON	FLANSCH	BRIDA
#	M85A00077	C02604	DADO AUTOBLOC ALTO 8 M10 H=11.5 UNI 7473	NUT	BOULONS	NUT	DADO
#	M85A00078	C02605	DADO AUTOBLOC ALTO 8 M12 H=14 UNI 7473	NUT	BOULONS	NUT	DADO
#	M85A00080	C02607	DADO AUTOBLOC ALTO 8 M16 H=18 UNI 7473	NUT	BOULONS	NUT	DADO
#	M85A00096	C02681	DADO FLANGIATO ZIGRINATO 8 M8 DIN-6923	NUT	BOULONS	NUT	DADO
#	M90A00007	C03004	RONDELLA PIANA D.10,5 DIN125-A ZINC.	WASHER	RONDELLE	UNTERLEGSCHNEIBE	ARANDELLA
#	M90A00008	C03005	RONDELLA PIANA D.13 DIN125-A ZINC.	WASHER	RONDELLE	UNTERLEGSCHNEIBE	ARANDELLA
#	M90A00010	C03007	RONDELLA PIANA D.17 DIN125-A ZINC.	WASHER	RONDELLE	UNTERLEGSCHNEIBE	ARANDELLA
#	M90A00029	C03053	RONDELLA PIANA D11XD30X2.5 UNI 6593 ZINC	WASHER	RONDELLE	UNTERLEGSCHNEIBE	ARANDELLA
#	MB0A00087	C05004	SPINA A MOLLA D.4	SOCKET	GOUPILLE	STECKER	PASADOR
#	MB0A00091	C05041	SPINA A SCATTO D. 5.5 SPEC. ACCIAIO	SOCKET	GOUPILLE	STECKER	PASADOR
#	C20A03083		TELAIO TR46-280 MAGGIORATO (COMPLESSIVO)	FRAME	CHASSIS	RAHMEN	MARCO
#	C20A03522		TELAIO TR46-280 M CC (COMPLESSIVO)	FRAME	CHASSIS	RAHMEN	MARCO
#	C05A03975	D01446	RONDELLA D.60X15X4 ZINC.	WASHER	RONDELLE	UNTERLEGSCHNEIBE	ARANDELLA
#	C00A00165	D04449	DIST. D.26,9 D.16,9 L.15 ZINC.	SPACER	ENTRETOISE	ABSTANDSTUECK	ESPACIADORES
#	MH0A00016	D08355	CATENA PROTEZ.TR30-TT91-7 ANELLI FILO D.7	CHAIN	CHAINE	KETTE	CADENA
#	M15A00138	D12024	PERNO CERNIERA GOMMA POST.D.12 D.15 L.110 TR25	PIN	PIVOT	STIFT	PIN
#	C10A02998	D13131	PROTEZIONE ESTERNA TR36	PROTECTION	PROTECTION	SCHUTZ	PROTECCIÓN
#	C15A00682	D13193	ASTA COFANO D.16 TR36-200 L=2029 ZINC.	ROD	POLE	STIFT	POLOS
#	C15A00683	D13194	ASTA COFANO D.16 TR36-220 L=2242 ZINC.	ROD	POLE	STIFT	POLOS
#	C15A00684	D13195	ASTA COFANO D.16 TR36-240 L=2444 ZINC.	ROD	POLE	STIFT	POLOS
#	C15A00685	D13196	ASTA COFANO D.16 TR36-280 L=2819 ZINC.	ROD	POLE	STIFT	POLOS
#	C15A00688	D13206	ASTA SOSTEGNO BANDIERINE D.16 L=2000 FORO D.6 ZINC.	ROD	POLE	STIFT	POLOS
#	C15A00689	D13207	ASTA SOSTEGNO BANDIERINE D.16 L=2214 FORO D.6 ZINC.	ROD	POLE	STIFT	POLOS
#	C15A00690	D13208	ASTA SOSTEGNO BANDIERINE D.16 L=2415 FORO D.6 ZINC.	ROD	POLE	STIFT	POLOS
#	C15A00691	D13209	ASTA SOSTEGNO BANDIERINE D.16 L=2790 FORO D.6 ZINC.	ROD	POLE	STIFT	POLOS
#	C10A03071	D13509	CONTROCOLTELLO SUPPL. TR36-200	COUNTERBLADE	CONTRE COUTEAU	GEGENSCHNEIDE	CONTRA EL CUCHILLO
#	C10A03072	D13510	CONTROCOLTELLO SUPPL. TR36-220	COUNTERBLADE	CONTRE COUTEAU	GEGENSCHNEIDE	CONTRA EL CUCHILLO
#	C10A03073	D13511	CONTROCOLTELLO SUPPL. TR36-240	COUNTERBLADE	CONTRE COUTEAU	GEGENSCHNEIDE	CONTRA EL CUCHILLO
#	C10A03074	D13512	CONTROCOLTELLO SUPPL. TR36-280	COUNTERBLADE	CONTRE COUTEAU	GEGENSCHNEIDE	CONTRA EL CUCHILLO
#	MH0A00019	D13758	CATENA PROTEZ.TT93-11 ANELLI FILO D.7	CHAIN	CHAINE	KETTE	CADENA
#	C10A03213	D14282	ALETTA FISS GOMMA TR36-200	WING	AILE	FLUEGEL	ALA
#	C10A03214	D14283	ALETTA FISS GOMMA TR36-220	WING	AILE	FLUEGEL	ALA
#	C10A03215	D14284	ALETTA FISS GOMMA TR36-240 E TT9325	WING	AILE	FLUEGEL	ALA
#	C10A03216	D14285	ALETTA FISS GOMMA TR36-280	WING	AILE	FLUEGEL	ALA
#	G05A00048	D14400	PROTEZIONE POST GOMMA TR36 180X8 L=300	PROTECTION	PROTECTION	SCHUTZ	PROTECCIÓN
#	G05A00049	D14401	PROTEZIONE POST GOMMA TR36 180X8 L=325	PROTECTION	PROTECTION	SCHUTZ	PROTECCIÓN
#	G05A00050	D14402	PROTEZIONE POST GOMMA TR36 180X8 L=400	PROTECTION	PROTECTION	SCHUTZ	PROTECCIÓN
#	C05A07576	D14407	PIASTRA COLLEG CERNIERE TR36 SP 6MM	PLATE	PLAQUE	PLATTE	PLACA
#	C05A08040	D14986	TRAVERSA GIUNZIONE TRE PUNTI TR46 CIL.	CROSS BEAM	TRAVERSE	QUERTRAEGER	TRANSVERSA
#	C05A08041	D14987	TRAVERSA GIUNZIONE TRE PUNTI TR46	CROSS BEAM	TRAVERSE	QUERTRAEGER	TRANSVERSA

Copyright © 2009 Alpego s.p.a. ®

Tutti i diritti sono riservati. È vietata espressamente la ristampa o l'uso non autorizzato senza permesso scritto dalla Alpego s.p.a.  
 Tous droits réservés. Toute réimpression ou utilisation non autorisée sans la permission écrite de la Alpego s.p.a. est formellement interdite  
 Alle Rechte vorbehalten. Nachdruck, Vervielfältigung und Verbreitung, auch auszugsweise, ist ohne schriftliche Genehmigung der Alpego s.p.a.  
 All rights reserved. Any reprinting or unauthorized use without the written permission of Alpego s.p.a. is expressly prohibited  
 Todos los derechos reservados. Toda reproducción o uso no autorizado sin el consentimiento escrito de Alpego s.p.a. quedan expresamente prohibidos

14/07/2016





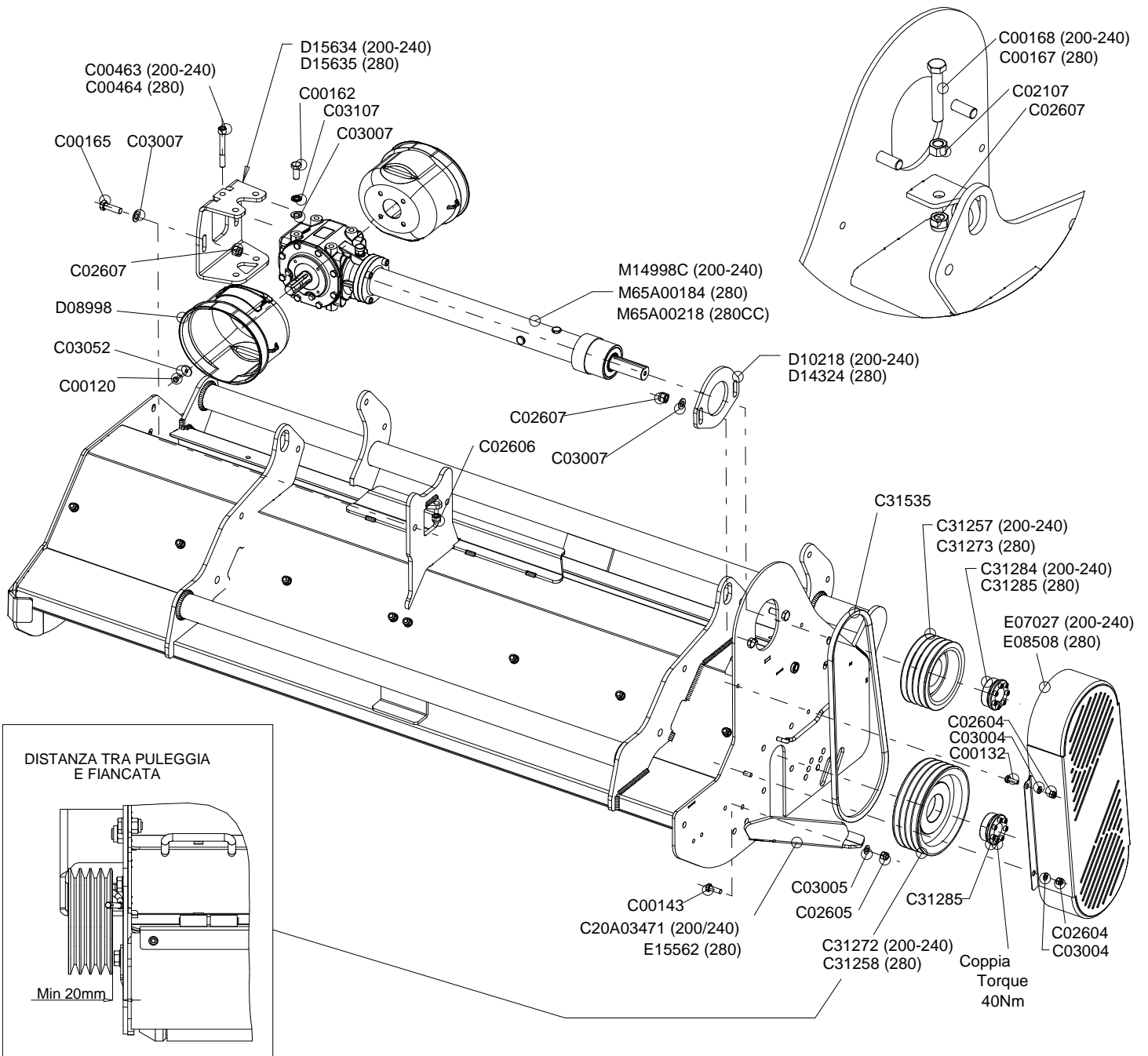
**Telaio**  
**Frame**  
**Chassis**  
**Rahmen**

Drawing Code: **K00A01036\_3**

Accessories:

N°	Code	Old.	Descrizione / Description
#	C10A03555		RINFORZO CILINDRO SPOSTAMENTO POST.TR46
#	C20A02051	E13083	COFANO TR36-200
#	C20A02052	E13084	COFANO TR36-220
#	C20A02053	E13085	COFANO TR36-240
#	C20A02054	E13086	COFANO TR36-280
#	C20A02224	E14294	SUPPORTO GOMMA POST TR36-200 L=976
#	C20A02225	E14295	SUPPORTO GOMMA POST TR36-220 L=1076
#	C20A02226	E14296	SUPP. GOMMA POST TR36-240 E TT9325 L=1076
#	C20A02227	E14297	SUPPORTO GOMMA POST TR36-280 L=1351
#	C20A02855	E14969	TELAIO TR46-200 (COMPLESSIVO)
#	C20A02856	E14970	TELAIO TR46-220 (COMPLESSIVO)
#	C20A02857	E14971	TELAIO TR46-240 (COMPLESSIVO)
#	G10A00072	P40212	DISTANZIALE LAT. CATENE PROT. L=15
#	G10A00073	P40213	DISTANZIALE LAT. CATENE PROT. L=21

GB	FR	D	E
REINFORCEMENT	RENFORT	VERSTAEKUNG	REFUERZO
BONNET	CAPOT	MOTORHAUBE	CAPÓ
BONNET	CAPOT	MOTORHAUBE	CAPÓ
BONNET	CAPOT	MOTORHAUBE	CAPÓ
BONNET	CAPOT	MOTORHAUBE	CAPÓ
SUPPORT	SUPPORT	STUTZE	APOYO
SUPPORT	SUPPORT	STUTZE	APOYO
SUPPORT	SUPPORT	STUTZE	APOYO
SUPPORT	SUPPORT	STUTZE	APOYO
FRAME	CHASSIS	RAHMEN	MARCO
FRAME	CHASSIS	RAHMEN	MARCO
FRAME	CHASSIS	RAHMEN	MARCO
SPACER	ENTRETOISE	ABSTANDSTUECK	ESPACIADORES
SPACER	ENTRETOISE	ABSTANDSTUECK	ESPACIADORES



K00A01037\_06





# Trasmissione

Transmission

Transmission

Getriebe

Drawing Code: **K00A01037\_6**

Accessories:

N°	Code	Old.	Descrizione / Description	GB	FR	D	E
#	M80A00109	C00120	VITE TE 88 PG FT M8X16 ZINC UNI 5739	SCREW	VIS	SCHRAUBE	TORNILLO
#	M80A00120	C00132	VITE TE 88 PG FT M10X30 ZINC UNI 5739	SCREW	VIS	SCHRAUBE	TORNILLO
#	M80A00130	C00143	VITE TE 88 PG FT M12X35 ZINC UNI 5739	SCREW	VIS	SCHRAUBE	TORNILLO
#	M80A00148	C00162	VITE TE 88 PG FT M16X35 ZINC UNI 5739	SCREW	VIS	SCHRAUBE	TORNILLO
#	M80A00151	C00165	VITE TE 88 PG FT M16X50 ZINC UNI 5739	SCREW	VIS	SCHRAUBE	TORNILLO
#	M80A00153	C00167	VITE TE 88 PG FT M16X80 ZINC UNI 5739	SCREW	VIS	SCHRAUBE	TORNILLO
#	M80A00154	C00168	VITE TE 88 PG FT M16X90 ZINC UNI 5739	SCREW	VIS	SCHRAUBE	TORNILLO
#	M80A00399	C00463	VITE TCEI PG M14X110 ZINC UNI 5931	SCREW	VIS	SCHRAUBE	TORNILLO
#	M80A00400	C00464	VITE TCEI PG M14X130 ZINC UNI 5931	SCREW	VIS	SCHRAUBE	TORNILLO
#	M85A00030	C02107	DADO NORMALE 8 PG M16 UNI 5588 ZINC	NUT	BOULONS	NUT	DADO
#	M85A00077	C02604	DADO AUTOBLOC ALTO 8 M10 H=11.5 UNI 7473	NUT	BOULONS	NUT	DADO
#	M85A00078	C02605	DADO AUTOBLOC ALTO 8 M12 H=14 UNI 7473	NUT	BOULONS	NUT	DADO
#	M85A00079	C02606	DADO AUTOBLOC ALTO 8 M14 H=16 UNI 7473	NUT	BOULONS	NUT	DADO
#	M85A00080	C02607	DADO AUTOBLOC ALTO 8 M16 H=18 UNI 7473	NUT	BOULONS	NUT	DADO
#	M90A00007	C03004	RONDELLA PIANA D.10,5 DIN125-A ZINC.	WASHER	RONDELLE	UNTERLEGSCHIEBE	ARANDELLA
#	M90A00008	C03005	RONDELLA PIANA D.13 DIN125-A ZINC.	WASHER	RONDELLE	UNTERLEGSCHIEBE	ARANDELLA
#	M90A00010	C03007	RONDELLA PIANA D.17 DIN125-A ZINC.	WASHER	RONDELLE	UNTERLEGSCHIEBE	ARANDELLA
#	M90A00027	C03052	RONDELLA PIANA d9xD32x2.5 UNI 6593 ZINC.	WASHER	RONDELLE	UNTERLEGSCHIEBE	ARANDELLA
#	M90A00037	C03107	RONDELLA GROWER D.16 DIN 127 ZINCATA	WASHER	RONDELLE	UNTERLEGSCHIEBE	ARANDELLA
#	C20A03471		PROT. SALDATA LAT.CARTER TR46-20/24	PROTECTION	PROTECTION	SCHUTZ	PROTECCIÓN
#	M60A00004	C31257	PULEGGIA PER CALETT. 190X4 SPB D.80	PULLEY	POULIE	RIEMENSCHIEBE	POLEAS
#	M60A00005	C31258	PULEGGIA PER CALETT. 190X5 SPB D.80	PULLEY	POULIE	RIEMENSCHIEBE	POLEAS
#	M60A00008	C31272	PULEGGIA PER CALETT. 250X4 SPB D.80	PULLEY	POULIE	RIEMENSCHIEBE	POLEAS
#	M60A00009	C31273	PULEGGIA PER CALETT. 250X5 SPB D.80	PULLEY	POULIE	RIEMENSCHIEBE	POLEAS
#	M75A00005	C31284	CALETTATORE VK-156 DI=40 DE=80	KEYED FLANGE	CALE	VERKEILER	CALENTADOR
#	M75A00006	C31285	CALETTATORE VK-156 DI=45 DE=80	KEYED FLANGE	CALE	VERKEILER	CALENTADOR
#	M55A00021	C31535	"CINGHIA ""XPB""1600 DENTEL (TR30)"	BELT	CEINTURE	RIEMEN	CORREA
#	G10A00051	D08998	PROT. OVALE 210X275XH150 FORATA	PROTECTION	PROTECTION	SCHUTZ	PROTECCIÓN
#	C05A06471	D10218	FLANGIA MOLTIPLICATORE TR30 sp10mm	FLANGE	FLANC	FLANSCH	FLANGE
#	C05A07546	D14324	FLANGIA MOLTIPL TR36-280 SP 10MM	FLANGE	FLANC	FLANSCH	FLANGE
#	C10A03482	D15634	SEDE MOLTIPLIC TR36-200/220/240 2A VERS.	SEAT	SIEGE	SITZ	SEDE
#	C10A03483	D15635	SEDE MOLTIPLIC TR36-280 2A VERSIONE	SEAT	SIEGE	SITZ	SEDE
#	C20A01283	E07027	CARTER COMPL. TR30 (160-240) ***	HOUSING	CARTER	GEHAUSE	CARTER
#	C20A01472	E08508	CARTER COMPL. TR30 (280) ***	HOUSING	CARTER	GEHAUSE	CARTER
#	C20A02459	E15562	PROT. SALDATA LAT.CARTER TR46/TR36-28	PROTECTION	PROTECTION	SCHUTZ	PROTECCIÓN
#	M65A00137	M14998C	MOLTIPL. +PROL.T312-1/3-PDFP-1RL-950-D40	MULTIPLIER	MULTIPLICATEUR	UEBERSETZUNGSGETRIEBE	MULTIPLICADOR
#	M65A00184		MOLTIPL. +PROL.T290A-1/1,47 - PDFP-1RL-1060-D45	MULTIPLIER	MULTIPLICATEUR	UEBERSETZUNGSGETRIEBE	MULTIPLICADOR
#	M65A00192		MOLTIPL. +PROL.T290A-1/1,47 - PDFP-1RL-1240-D45	MULTIPLIER	MULTIPLICATEUR	UEBERTZUNGSGETRIEBE	MULTIPLICADOR

## Rotore con supporti

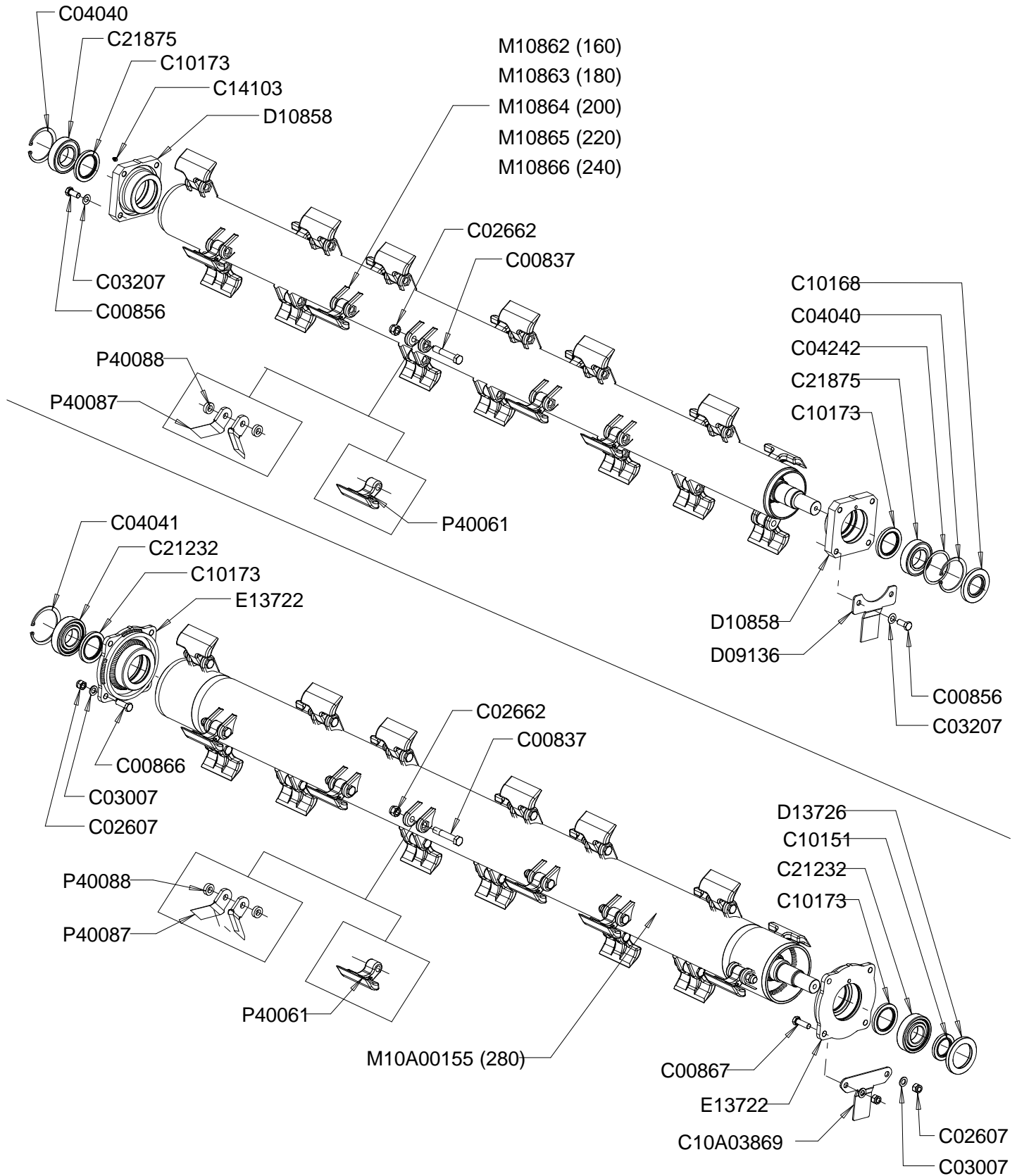
Rotor and holder

Rotor au support

Rotor - stutze

Drawing Code: **100838\_1**

Accessories:



100838\_01



## Rotore con supporti

Rotor and holder

Rotor au support

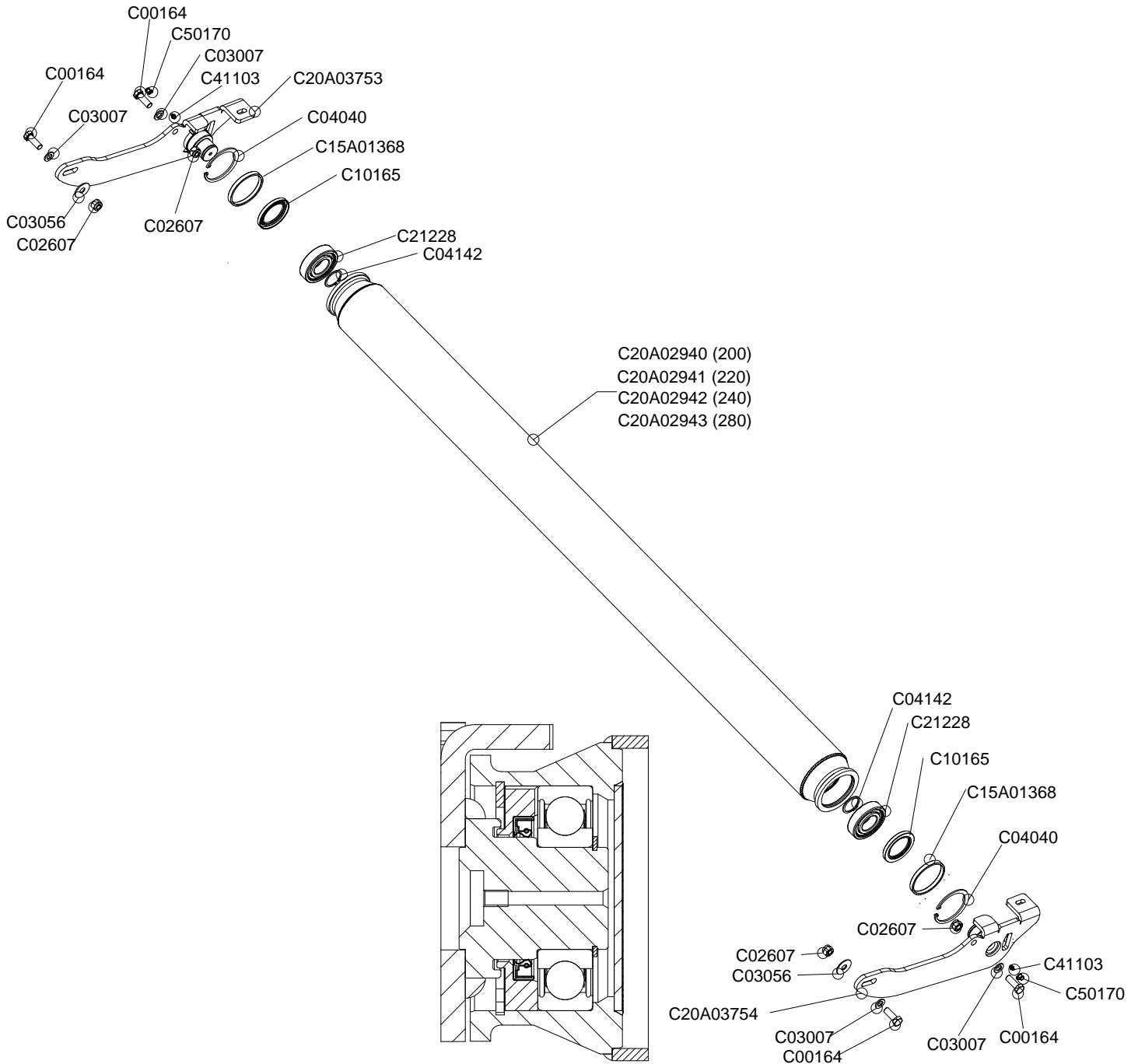
Rotor - stutze

Drawing Code:

**100838\_1**

Accessories:

N°	Code	Old.	Descrizione / Description	GB	FR	D	E
#	M80A00330	C00837	VITE TE 12.9 PF M18X1.5X100 FIL30 UNI 5738	SCREW	VIS	SCHRAUBE	TORNILLO
#	M80A00347	C00856	VITE TE 10.9 PG FT M16X35 UNI 5739 ( GEOMET )	SCREW	VIS	SCHRAUBE	TORNILLO
#	M80A00355	C00866	VITE TE 10.9 PG FT M16X45 UNI 5739	SCREW	VIS	SCHRAUBE	TORNILLO
#	M80A00356	C00867	VITE TE 10.9 PG FT M16X50 UNI 5739	SCREW	VIS	SCHRAUBE	TORNILLO
#	M85A00080	C02607	DADO AUTOBLOC ALTO 8 M16 H=18 UNI 7473	NUT	BOULONS	NUT	DADO
#	M85A00094	C02662	DADO AUTOBLOC ALTO 8 M18X1.5 H=20 UNI 7473	NUT	BOULONS	NUT	DADO
#	M90A00010	C03007	RONDELLA PIANA D.17 DIN125-A ZINC.	WASHER	RONDELLE	UNTERLEGSCHLEIBE	ARANDELLA
#	M90A00053	C03207	DISCO ELAST. D.16,3X31.5X1.75 DIN 2093 ZINCO-LAMELLARE	DISC	DISQUE	SCHEIBE	DISCO
#	MA0A00015	C04040	SEEGER FORO D.110 UNI 7437	SEEGER	SEEGER	SEEGER	SEEGER
#	MA0A00016	C04041	SEEGER FORO D.120 UNI 7437	SEEGER	SEEGER	SEEGER	SEEGER
#	MA5A00042	C04242	RALLA REG. 95.2X109.7X2	FIFTH WHEEL	RONDELLE	DREHPLATTE	RAYA
#	H00A00064	C10151	PARAOLIO BASL D.55X85X10	SEALING RING	JOINT SPI	OELABDICHTUNG	PARAOLIO
#	H00A00072	C10168	PARAOLIO BASL D.60X110X12	SEALING RING	JOINT SPI	OELABDICHTUNG	PARAOLIO
#	H00A00077	C10173	PARAOLIO BASL D.70X100X10	SEALING RING	JOINT SPI	OELABDICHTUNG	PARAOLIO
#	C10A03869		LAMIERA CHIUSURA FORO ROTORE TR36/46 M	METAL PLATE	TOLE	METALL-PLATTE	HOJA DE METAL
#	M20A00050	C21232	CUSCINETTO 6311 C3-CLASSE A 55X120X29	BEARING	ROULEMENT	KUGELLAGER	COJINETE
#	M20A00107	C21875	CUSCINETTO OR.SFE 2212E CLASSE A 60X110X28	BEARING	ROULEMENT	KUGELLAGER	COJINETE
#	C10A02337	D09136	PROTEZIONE SUPPORTO TR30 sp5mm	PROTECTION	PROTECTION	SCHUTZ	PROTECCIÓN
#	M35A00015	D10858	SUPPORTO ROTORE TR30	SUPPORT	SUPPORT	STUTZE	APOYO
#	M35A00026	D13726	SUPPORTO ANELLO TENUTA SUPP.ROTT. TT93	SUPPORT	SUPPORT	STUTZE	APOYO
#	M35A00038	E13722	SUPPORTO ROTORE TT93	SUPPORT	SUPPORT	STUTZE	APOYO
#	M10A00008	M10862	ROTORE COMPLETO DI MAZZE TR36-160	ROTOR	ROTOR	ROTOR	ROTOR
#	M10A00010	M10863	ROTORE COMPLETO DI MAZZE TR36-180	ROTOR	ROTOR	ROTOR	ROTOR
#	M10A00012	M10864	ROTORE COMPLETO DI MAZZE TR3646-200	ROTOR	ROTOR	ROTOR	ROTOR
#	M10A00014	M10865	ROTORE COMPLETO DI MAZZE TR36-220	ROTOR	ROTOR	ROTOR	ROTOR
#	M10A00016	M10866	ROTORE COMPLETO DI MAZZE TR36/46-240	ROTOR	ROTOR	ROTOR	ROTOR
#	M10A00155		ROTORE MAGG. COMPLETO DI MAZZE TR36/46-280	ROTOR	ROTOR	ROTOR	ROTOR
#	MK0A00212	P40061	MAZZA TRINCIA FORO=18.5 LARG=140 R=95	HAMMER	MARTEAUX	HAMMERSCHLEGEL	MAZA/MARTILLO
#	MK0A00221	P40087	COLTELLO UNIVERS. TRISAR D18.5 L70 R=95	BLADE	COUTEAU	MESSER	CUCHILLO
#	C15A00801	P40088	DISTANZIALE FORO 19 H10.5 D35 (XCOLT.)	SPACER	ENTRETOISE	ABSTANDSTUECK	ESPACIADORES



K00A01038\_02



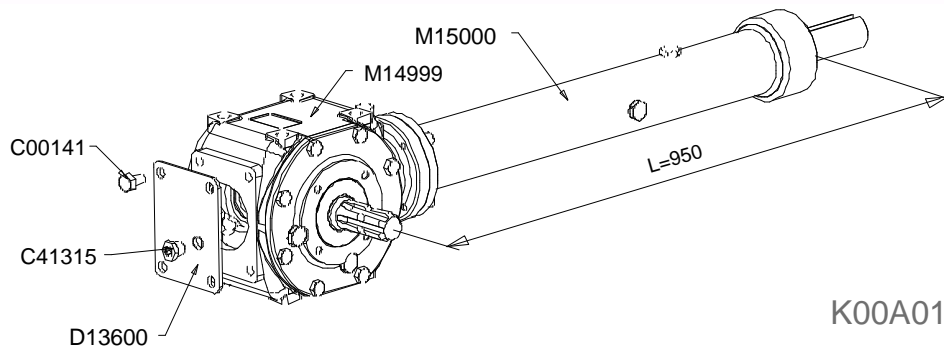
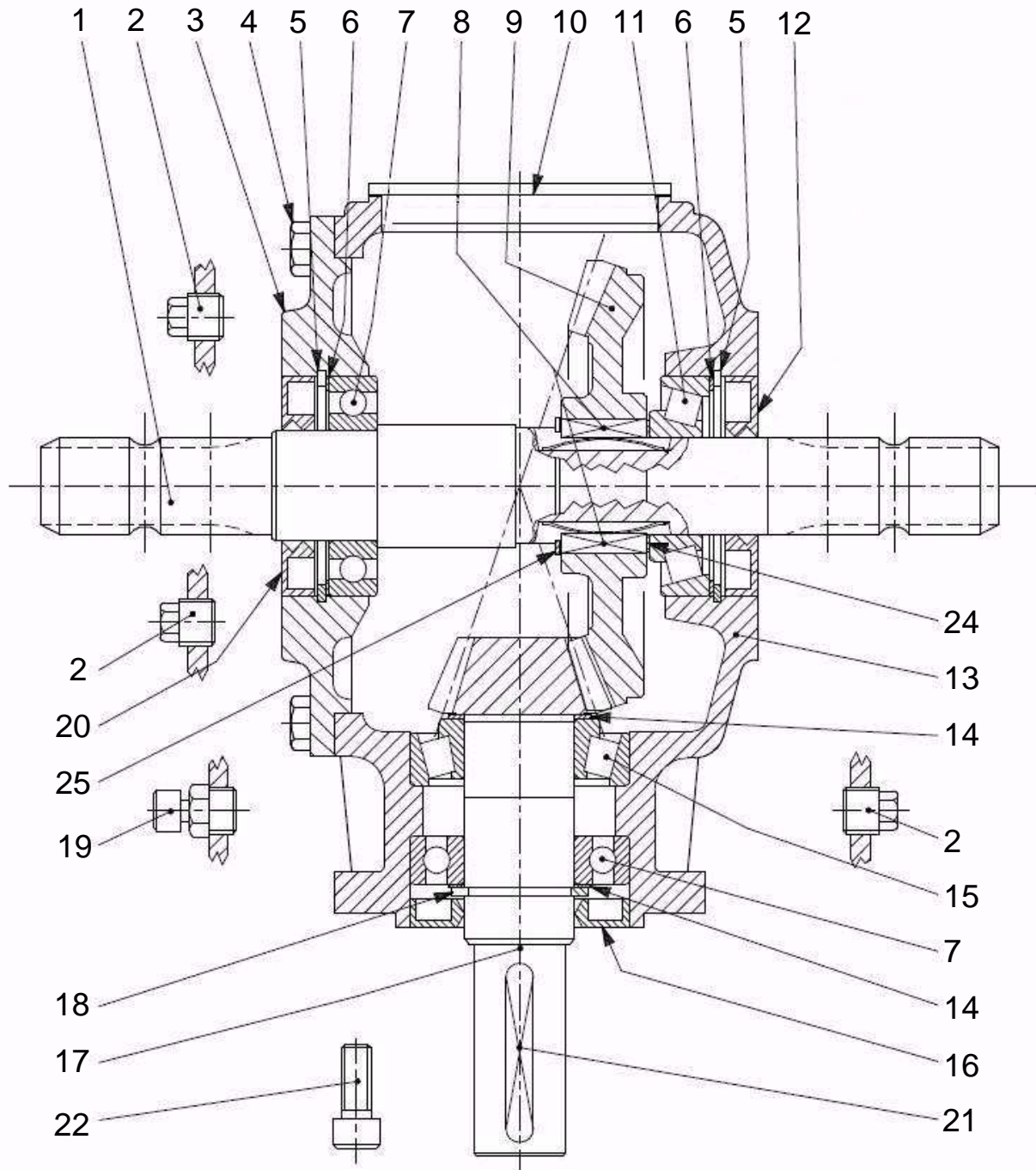
**Rullo posteriore**  
 Rear roller  
 Rouleau posterieur  
 Hinter Walze

Drawing Code: **K00A01038\_2**

Accessories:

N°	Code	Old.	Descrizione / Description
-	M80A00150	C00164	VITE TE 88 PG FT M16X45 ZINC UNI 5739
-	M85A00080	C02607	DADO AUTOBLOC ALTO 8 M16 H=18 UNI 7473
-	M90A00010	C03007	RONDELLA PIANA D.17 DIN125-A ZINC.
-	M90A00031	C03056	RONDELLA PIANA D18XD48X3 UNI 6593 ZINC
-	MA0A00015	C04040	SEEGER FORO D.110 UNI 7437
-	MA0A00041	C04142	SEEGER ALBERO D.50 UNI 7435
-	H00A00069	C10165	PARAOLIO BASL D.60X80X10
-	C15A01368		ANELLO D.110 PORTA PARAOLIO PROTEZ MAGG
-	C20A02940		RULLO POST.D.159 L=1969 TR36/46-200 2A VER.
-	C20A02941		RULLO POST.D.159 L=2182 TR36/46-220 2A VER.
-	C20A02942		RULLO POST.D.159 L=2384 TR36/46-240 2A VER.
-	C20A02943		RULLO POST.D.159 L=2759 TR36/46-280 2A VER.
-	C20A03753		SUPP. DES.CON PULITORE RULLO POS.TR-36 (PROTEZ MAGG.)
-	C20A03754		SUPP. SIN.CON PULITORE RULLO POS.TR-36 (PROTEZ MAGG.)
-	M20A00048	C21228	CUSCINETTO 6310 C3-CLASSE A 50X110X27
-	MJ5A00003	C41103	INGRASSATORE M8X1.25 DRITTO ESAGONO 11.
-	G00A00001	C50170	PROTEZIONE INGRASSATORE D.6MM ROSSO

GB	FR	D	E
SCREW	VIS	SCHRAUBE	TORNILLO
NUT	BOULONS	NUT	DADO
WASHER	RONDELLE	UNTERLEGSCHIEBE	ARANDELLA
WASHER	RONDELLE	UNTERLEGSCHIEBE	ARANDELLA
SEEGER	SEEGER	SEEGER	SEEGER
SEEGER	SEEGER	SEEGER	SEEGER
SEALING RING	JOINT SPI	OELABDICHTUNG	PARAOLIO
RING	AMORTISSEUR	RING	ANILLO
ROLLER	ROULEAU	WALZE	RODILLO
ROLLER	ROULEAU	WALZE	RODILLO
ROLLER	ROULEAU	WALZE	RODILLO
ROLLER	ROULEAU	WALZE	RODILLO
SUPPORT	SUPPORT	STUTZE	APOYO
SUPPORT	SUPPORT	STUTZE	APOYO
BEARING	ROULEMENT	KUGELLAGER	COJINETE
GREASE NIPPLE	GRAISSOR	FETTBUECHSE	ENGRASADOR
PROTECTION	PROTECTION	SCHUTZ	PROTECCIÓN



K00A01039\_00\_f1



# Moltiplicatore M14998C

Overgear M14998C

Multiplicateur M14998C

Übersetzen M14998C

Drawing Code: **K00A01039\_0\_f1**

Accessories:

N°	Code	Old.	Descrizione / Description	GB	FR	D	E
1	M45A00151		"ALBERO RUOTA LIBERA 2 PTO 1" 3/8 Z=6"	SHAFT	ARBRE	WELLE	EJE
2	H45A00013	C41220	TAPPO CARICO 3/8	PLUG	BOUCHON	STOEPSSEL	ENCHUFE
3	M35A00052	R30019	COPERCHIO APERTO MOLTIPLICATORE T-312A	LID	COUVERCLE	DECKEL	TAPA
4	M80A00118	C00131	VITE TE 88 PG FT M10X25 ZINC UNI 5739	SCREW	VIS	SCHRAUBE	TORNILLO
5	MA0A00010	C04035	SEEGER FORO D.80 UNI 7437	SEEGER	SEEGER	SEEGER	SEEGER
6	H30A00049		SPESSORE REG. 69X79.9	THICKNESS	CALES	DICKE	ESPESOR
7	M20A00028	C21120	CUSCINETTO 6208 40x80x18	BEARING	ROULEMENT	KUGELLAGER	COJINETE
8	M75A00052	R30020	KIT NOTOLINO L=30 + MOLLA RUOTA LIBERA	KIT	KIT	KIT	KIT
9	M40A00119	R30021	CORONA CONICA R.L. Z36 M4.58	CROWN	COURONNE	KRONE	CORONA
10	C10A03089	D13600	COPERCHIO MOLTIPL.PER SPIA-LIVELLO M16X1.5	LID	COUVERCLE	DECKEL	TAPA
11	M20A00087	C21707	CUSCINETTO 30307 35X80X22.75	BEARING	ROULEMENT	KUGELLAGER	COJINETE
12	H00A00045	C10119	PARAOLIO BASL D.35X80X10	SEALING RING	JOINT SPI	OELABDICHTUNG	PARAOLIO
13	C15A00837	R30022	SCATOLA MOLTIPLICATORE T-312A	BOX	BOITE	SCHACTEL	RECUADRO
14	MA5A00129		SPESSORE REG. 40.3X51.5	THICKNESS	CALES	DICKE	ESPESOR
15	M20A00071	C21508	CUSCINETTO 32208 40X80X24,75	BEARING	ROULEMENT	KUGELLAGER	COJINETE
16	H00A00012	C10026	PARAOLIO BA D.40X80X10	SEALING RING	JOINT SPI	OELABDICHTUNG	PARAOLIO
17	M40A00120	R30023	ALBERO - PIGNONE Z12 M4.58	SHAFT	ARBRE	WELLE	EJE
18	MA0A00051	C04164	SEEGER ALBERO D.40X2.5 UNI 7436	SEEGER	SEEGER	SEEGER	SEEGER
19	H65A00003	C41231	TAPPO SFIATO 3/8 GAS (30/A) LABIRINTO	PLUG	BOUCHON	STOEPSSEL	ENCHUFE
20	H00A00101	C10123	PARAOLIO BASL D.40X80X10	SEALING RING	JOINT SPI	OELABDICHTUNG	PARAOLIO
21	MC0A00018	C04921	LINGUETTA 10X8X65 UNI6604A	TONGUE	CLAVETTE	ZUNGE	LENGUA
22	M80A00251	C00442	VITE TCEI PG M12X30 ZINC UNI 5931	SCREW	VIS	SCHRAUBE	TORNILLO
24	MA5A00130		SPESSORE REG. 48X35.3X1	THICKNESS	CALES	DICKE	ESPESOR
25	MA0A00052	C04165	SEEGER ALBERO D.55X3 UNI 7436	SEEGER	SEEGER	SEEGER	SEEGER
C00141	M80A00128	C00141	VITE TE 88 PG FT M12X25 ZINC UNI 5739	SCREW	VIS	SCHRAUBE	TORNILLO
#	M65A00139	M15000	PROLUNGA MOLTIPLICATORE T312B L=950	EXTENSION	EXTENSION	VERLAENGERUNG	EXTENSIÓN
C41315	H60A00004	C41315	SPIA LIVELLO OLIO 16X1,5 (38A)	LIGHT	LUMIERE	WARNLAMPE	INDICADOR
D13600	C10A03089	D13600	COPERCHIO MOLTIPL.PER SPIA-LIVELLO M16X1.5	LID	COUVERCLE	DECKEL	TAPA
M14999	M65A00138	M14999	TESTA MOLTIPLICATORE T312A-1/3-PDFP-1RL	HEAD	TETE	KOPF	CABEZA

**Prolunga moltiplicatore M14998C**

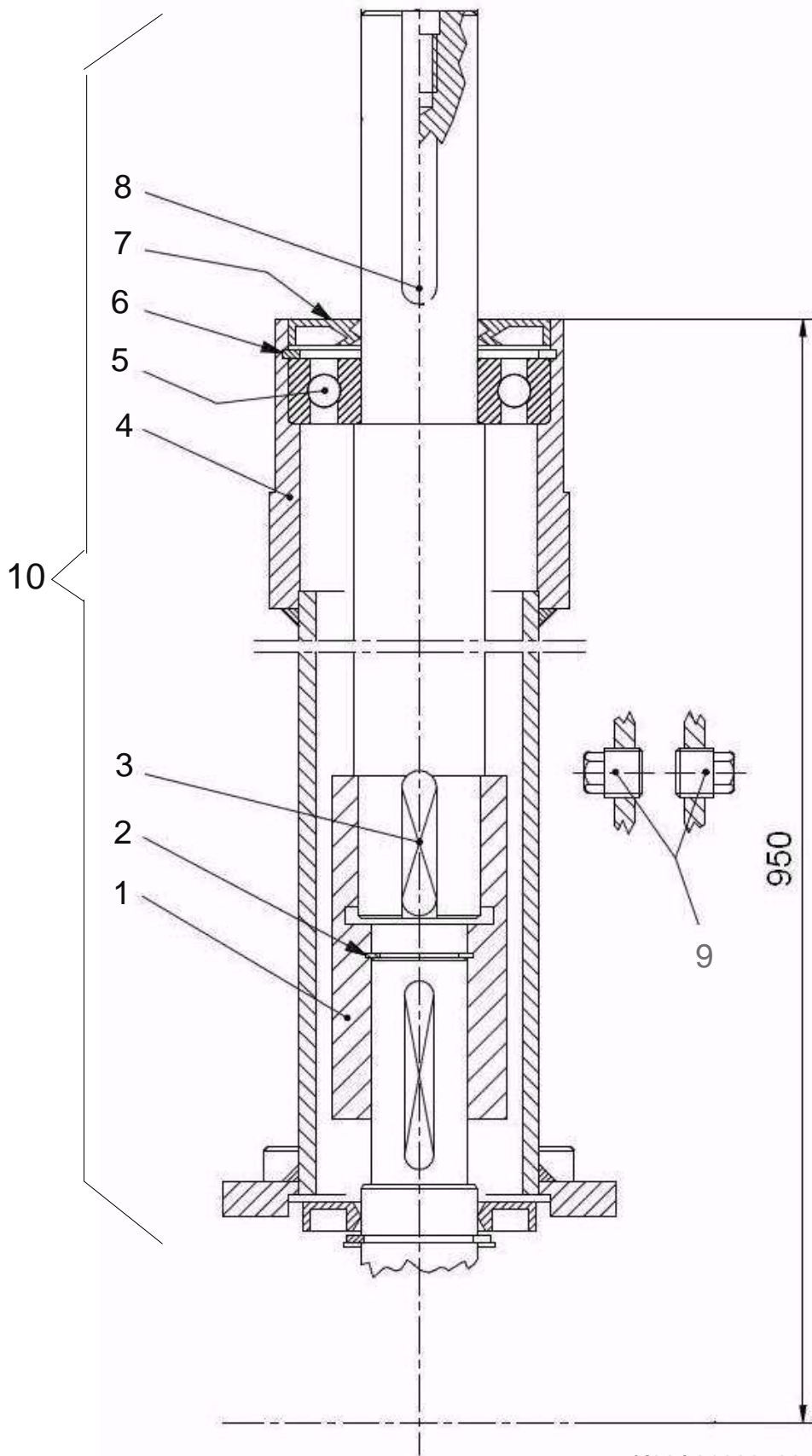
Overgear M14998C

Multiplicateur M14998C

Übersetzen M14998C

Drawing Code: **K00A01039\_0\_f2**

Accessories:



K00A01039\_00\_f2





## Prolunga moltiplicatore M14998C

Overgear M14998C

Multiplicateur M14998C

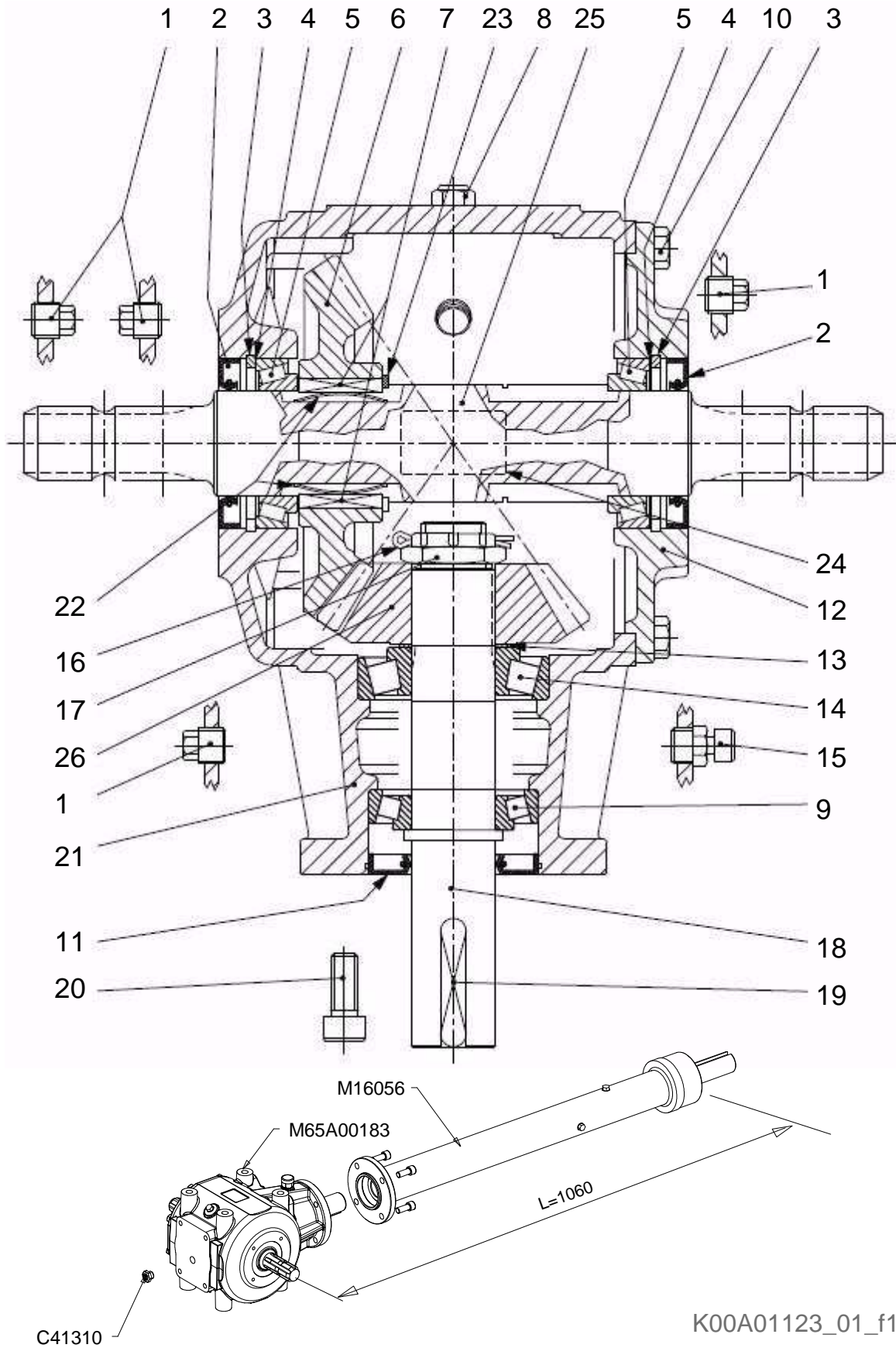
Übersetzen M14998C

Drawing Code: **K00A01039\_0\_f2**

Accessories:

N°	Code	Old.	Descrizione / Description
1	M25A00018	R30039	BOCCOLA
2	MA0A00001	C04023	SEEGER FORO D.33 UNI 7437
3	MC0A00015	C04918	LINGUETTA 12X8X50 UNI 6604A
5	M20A00046	C21220	CUSCINETTO 6308 40X90X23
6	MA0A00012	C04037	SEEGER FORO D.90 UNI 7437
7	H00A00047	C10121	PARAOLIO BASL 40X90X8/7
9	H45A00013	C41220	TAPPO CARICO 3/8
10	M65A00139	M15000	PROLUNGA MOLTIPLICATORE T312B L=950

GB	FR	D	E
BUSH	DOUILLE	BUCHSE	BOCOLA
SEEGER	SEEGER	SEEGER	SEEGER
TONGUE	CLAVETTE	ZUNGE	LENGUA
BEARING	ROULEMENT	KUGELLAGER	COJINETE
SEEGER	SEEGER	SEEGER	SEEGER
SEALING RING	JOINT SPI	OELABDICHTUNG	PARAOLIO
PLUG	BOUCHON	STOEPSSEL	ENCHUFE
EXTENSION	EXTENSION	VERLAENGERUNG	EXTENSIÓN





# Moltiplicatore M65A00184

Overgear M65A00184

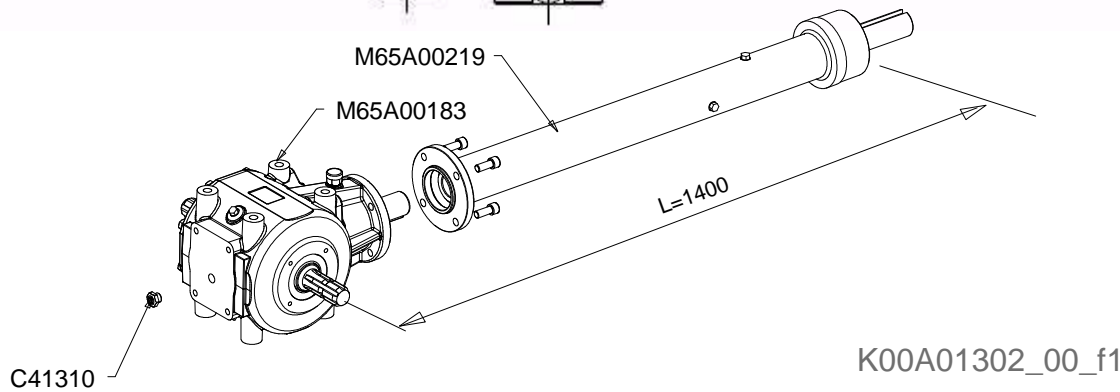
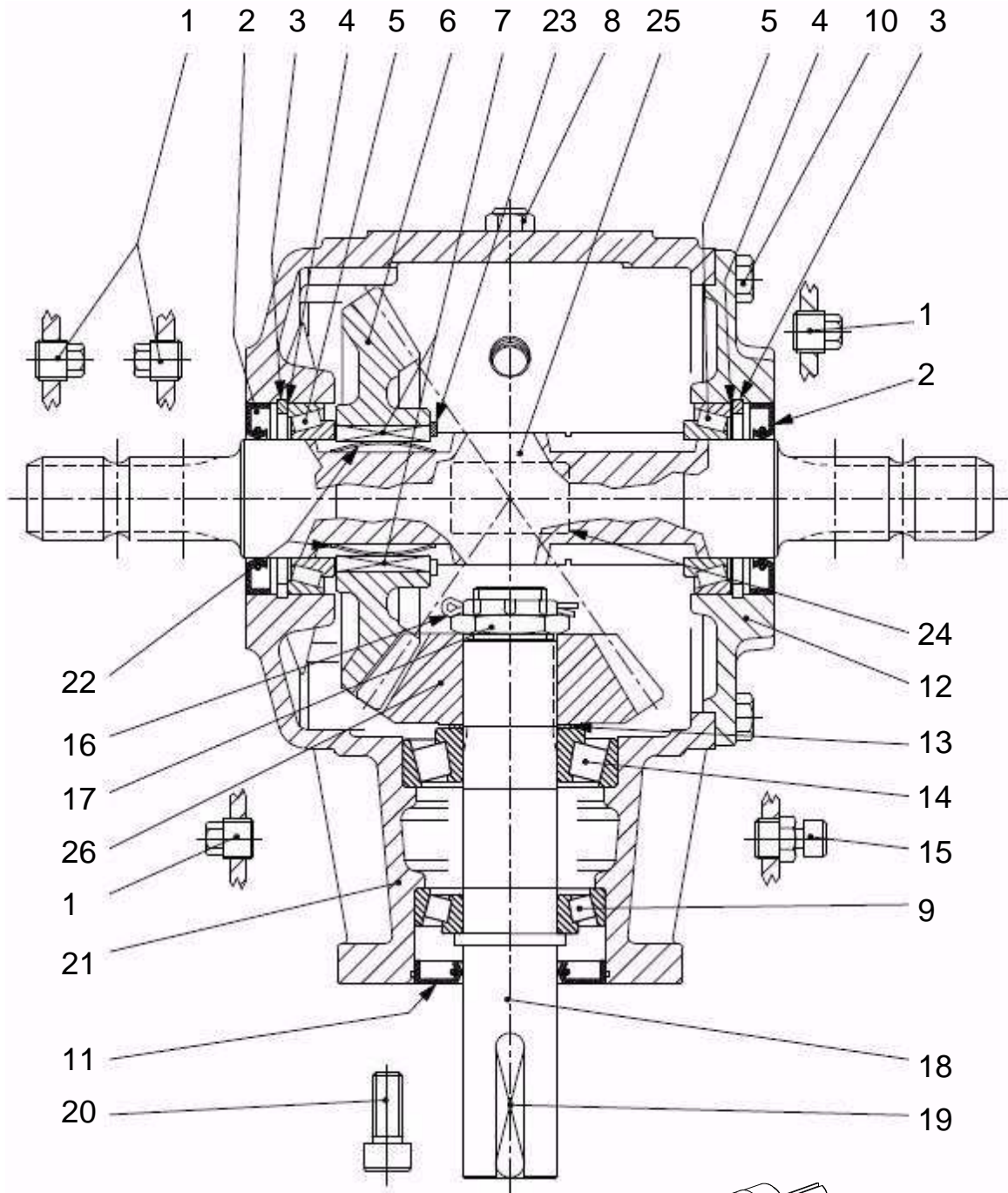
Multiplicateur M65A00184

Übersetzen MM65A00184

Drawing Code: **K00A01123\_1\_f1**

Accessories:

N°	Code	Old.	Descrizione / Description	GB	FR	D	E
1	H45A00013	C41220	TAPPO CARICO 3/8	PLUG	BOUCHON	STOEPSSEL	ENCHUFE
2	H00A00057	C10142	PARAOLIO BASL D.50X80X10	SEALING RING	JOINT SPI	OELABDICHTUNG	PARAOLIO
3	MA0A00021	C04050	SEEGER FORO D.80X4 UNI 7438	SEEGER	SEEGER	SEEGER	SEEGER
5	M20A00055	C21310	CUSCINETTO 32010X 50x80x20	BEARING	ROULEMENT	KUGELLAGER	COJINETE
7	M75A00053	R30030	KIT NOTOLINO + MOLLA RUOTA LIBERA	KIT	KIT	KIT	KIT
8							
9	M20A00060	C21408	CUSCINETTO 30208 40X80X19,75	BEARING	ROULEMENT	KUGELLAGER	COJINETE
10	M80A00118	C00131	VITE TE 88 PG FT M10X25 ZINC UNI 5739	SCREW	VIS	SCHRAUBE	TORNILLO
11	H00A00101	C10123	PARAOLIO BASL D.40X80X10	SEALING RING	JOINT SPI	OELABDICHTUNG	PARAOLIO
12	M35A00053	R30026	COPERCHIO MOLTIPLICATORE T-290A	LID	COUVERCLE	DECKEL	TAPA
14	M20A00088	C21708	CUSCINETTO 30308 40X90X25,5	BEARING	ROULEMENT	KUGELLAGER	COJINETE
15	H65A00003	C41231	TAPPO SFIATO 3/8 GAS (30/A) LABIRINTO	PLUG	BOUCHON	STOEPSSEL	ENCHUFE
17	M85A00139		DADO ESAG.INTAG.M30X1,5	NUT	BOULONS	NUT	DADO
19	MC0A00019	C04922	LINGUETTA 12X8X60 UNI 6604A	TONGUE	CLAVETTE	ZUNGE	LENGUA
20	M80A00251	C00442	VITE TCEI PG M12X30 ZINC UNI 5931	SCREW	VIS	SCHRAUBE	TORNILLO
21	C15A00838	R30028	SCATOLA A.P.VEL.	BOX	BOITE	SCHACTEL	RECUADRO
22	M75A00053	R30030	KIT NOTOLINO + MOLLA RUOTA LIBERA	KIT	KIT	KIT	KIT
23							
M65A00183	M65A00183		TESTA MOLTIPLICATORE T290A - 1/1,47 - PDFP-1RL	HEAD	TETE	KOPF	CABEZA
C41310							
M16056	M79A00240	M16056	PROLUNGA MOLTIPLICATORE T290B L=1060	EXTENSION	EXTENSION	VERLAENGERUNG	EXTENSIÓN





## Moltiplicatore M65A00218

Overgear M65A00218

Multiplicateur M65A00218

Übersetzen MM65A00218

Drawing Code: **K00A01302\_0\_f1**

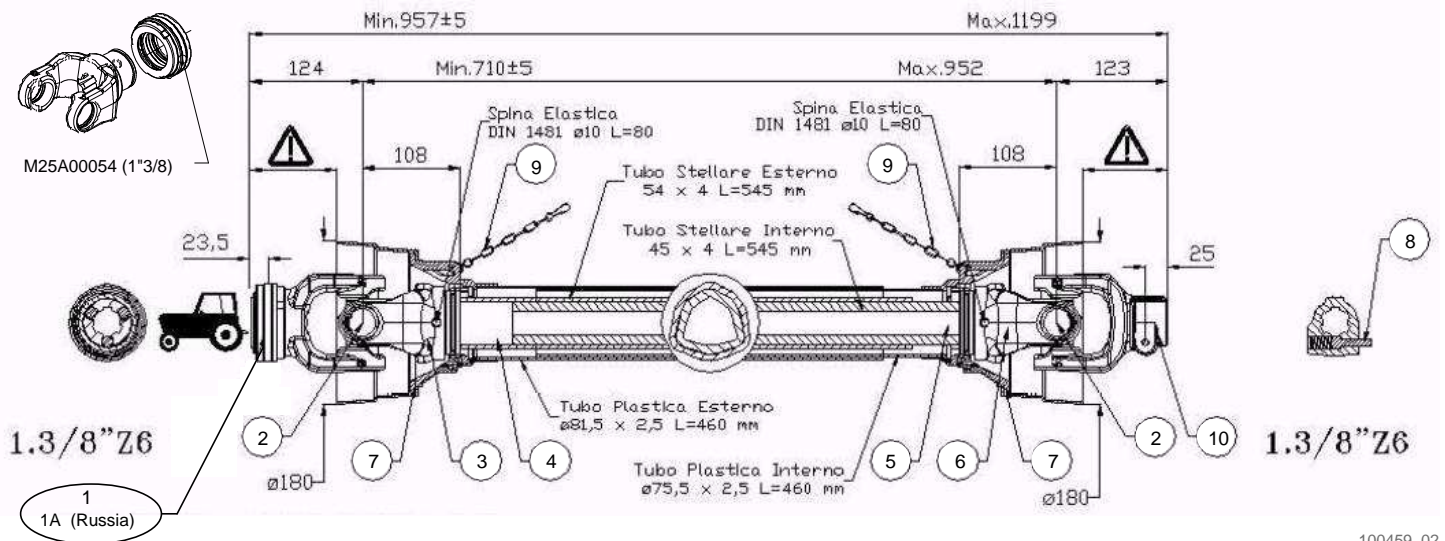
Accessories: M65A00218

N°	Code	Old.	Descrizione / Description
1	H45A00013	C41220	TAPPO CARICO 3/8
2	H00A00057	C10142	PARAOLIO BASL D.50X80X10
3	MA0A00021	C04050	SEEGER FORO D.80X4 UNI 7438
5	M20A00055	C21310	CUSCINETTO 32010X 50x80x20
7	M75A00053	R30030	KIT NOTOLINO + MOLLA RUOTA LIBERA
8			
9	M20A00060	C21408	CUSCINETTO 30208 40X80X19,75
10	M80A00118	C00131	VITE TE 88 PG FT M10X25 ZINC UNI 5739
11	H00A00101	C10123	PARAOLIO BASL D.40X80X10
12	M35A00053	R30026	COPERCHIO MOLTIPLICATORE T-290A
14	M20A00088	C21708	CUSCINETTO 30308 40X90X25,5
15	H65A00003	C41231	TAPPO SFIATO 3/8 GAS (30/A) LABIRINTO
17	M85A00139		DADO ESAG.INTAG.M30X1,5
19	MC0A00019	C04922	LINGUETTA 12X8X60 UNI 6604A
20	M80A00251	C00442	VITE TCEI PG M12X30 ZINC UNI 5931
21	C15A00838	R30028	SCATOLA A.P.VEL.
22	M75A00053	R30030	KIT NOTOLINO + MOLLA RUOTA LIBERA
23			
M65A00183	M65A00183		TESTA MOLTIPLICATORE T290A - 1/1,47 - PDFP-1RL
#	M65A00219		PROLUNGA MOLTIPLICATORE T290B L=1400
C41310			
M16056	M79A00240	M16056	PROLUNGA MOLTIPLICATORE T290B L=1060

GB	FR	D	E
PLUG	BOUCHON	STOEPSSEL	ENCHUFE
SEALING RING	JOINT SPI	OELABDICHTUNG	PARAOLIO
SEEGER	SEEGER	SEEGER	SEEGER
BEARING	ROULEMENT	KUGELLAGER	COJINETE
KIT	KIT	KIT	KIT
BEARING	ROULEMENT	KUGELLAGER	COJINETE
SCREW	VIS	SCHRAUBE	TORNILLO
SEALING RING	JOINT SPI	OELABDICHTUNG	PARAOLIO
LID	COUVERCLE	DECKEL	TAPA
BEARING	ROULEMENT	KUGELLAGER	COJINETE
PLUG	BOUCHON	STOEPSSEL	ENCHUFE
NUT	BOULONS	NUT	DADO
TONGUE	CLAVETTE	ZUNGE	LENGUA
SCREW	VIS	SCHRAUBE	TORNILLO
BOX	BOITE	SCHACTEL	RECUADRO
KIT	KIT	KIT	KIT
HEAD	TETE	KOPF	CABEZA
EXTENSION	EXTENSION	VERLAENGERUNG	EXTENSIÓN
EXTENSION	EXTENSION	VERLAENGERUNG	EXTENSIÓN

Codice cardano  
Code pto shaft  
Code de arbre de transmission  
Code gelenkwelle

**M06951**



100459\_02



**Cardano M06951**  
 PTO shaft M06951  
 Arbre de transmission M06951  
 Gelenkwelle M06951

Drawing Code: **100459\_2**

Accessories:

N°	Code	Old.	Descrizione / Description
1	M72A00066	R50127	"FORCELLA RAPIDO COLLAR 1""3/8 B06"
1A	M72A00074	R50139	FORCELLA 6 D8X32X38 (RUSSIA)
2	M71A00006	R50120	CROCIERA D30.2x92 SERIE L (B06)
3	M72A00064	R50123	FORCELLA EST. TUBO TRIANG 54x4 B06
4	M73A00042	R50122	TUBO TRIANGOLARE EST. 54X4 B06 INT. B08
5	M73A00041	R50121	TUBO TRIANGOLARE INT. 45X4 B05-B06
6	M72A00065	R50124	FORCELLA INT. TUBO TRIANG 45x4 B06
7	G10A00088	R50126	PROTEZIONE COMPL.CARDANO B06X1010
8	MF0A00063	R50012	"PULSANTE COMPLETO 1""3/8"
9	MH0A00022	R50119	CATENELLA PROTEZ.CARDANO L=550
10	M72A00071	R50135	"FORCELLA 6 1"" 3/8 Z6 ATT.PULSANTE"
M25A00054	M25A00054		"COLLARE ATTACCO RAPIDO ACCIAIO 1"" 3/8"
M06951	M70A00066	M06951	"CARDANO B06-710-1""3/8+1""3/8"

GB	FR	D	E
FORK	MACHOIRE	GABEL	HORQUILLA
FORK	MACHOIRE	GABEL	HORQUILLA
CRUISE	CROISIÈRE	CRUISE	CRUISE
FORK	MACHOIRE	GABEL	HORQUILLA
TUBE	TUBE	ROHR	TUBO
TUBE	TUBE	ROHR	TUBO
FORK	MACHOIRE	GABEL	HORQUILLA
PROTECTION	PROTECTION	SCHUTZ	PROTECCIÓN
BUTTON	BOUTON	BUTTON	BOTÓN
CHAIN	CHAINE	KETTE	CADENA
FORK	MACHOIRE	GABEL	HORQUILLA
METAL RING	COLLARE	METALLRING	COLLAR
UNIVERSAL JOINT	CARDAN	GELENKWELLE	CARDAN